

AC-B4/40PBXRS

Type: Programmed Start Electronic Ballast

Lamp Connection: Dual Lamps in Series

Lamp Types:

One, Two, Three or Four PL-L40W,
F36BX, F39BX, FT40DL/28W SLI lamps
or cross reference GE, Philips or Sylvania/OSRAM lamps

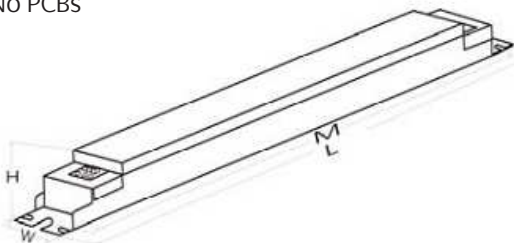


SPECIFICATIONS

Input Voltage	Number of Lamps	Lamp Type	Lamp Watts	Input Watts (typical)	Input Current (typical)	Power Factor	Max THD	Crest Factor	Ballast Factor
347V	1	PL-L	40W	30W	0.09A	0.99	<20%	<1.7	0.65
347V	2	PL-L	40W	57W	0.16A	0.99	<15%	<1.7	0.62
347V	3	PL-L	40W	85W	0.15A	0.99	<15%	<1.7	0.58
347V	4	PL-L	40W	111W	0.32A	0.99	<15%	<1.7	0.56
347V	1	F39BX	39W	22W	0.06A	0.99	<20%	<1.7	0.50
347V	2	F39BX	39W	35W	0.10A	0.99	<15%	<1.7	0.47
347V	3	F39BX	39W	51W	0.15A	0.99	<15%	<1.7	0.46
347V	4	F39BX	39W	68W	0.20A	0.99	<15%	<1.7	0.45
347V	1	F36BX	36W	21W	0.06A	0.99	<20%	<1.7	0.51
347V	2	F36BX	36W	36W	0.10A	0.99	<15%	<1.7	0.48
347V	3	F36BX	36W	54W	0.16A	0.99	<15%	<1.7	0.47
347V	4	F36BX	36W	72W	0.21A	0.99	<15%	<1.7	0.46
347V	1	FT40D/L	28W	26W	0.08A	0.99	<20%	<1.7	0.82
347V	2	FT40D/L	28W	50W	0.14A	0.99	<15%	<1.7	0.82
347V	3	FT40D/L	28W	77W	0.22A	0.99	<15%	<1.7	0.82
347V	4	FT40D/L	28W	102W	0.30A	0.99	<15%	<1.7	0.82

SAFETY & PERFORMANCE

- 347V, 50/60Hz Input Voltage
- UL Listed
- cUL Listed
- Type HL
- High Power Factor
- Type 1 Outdoor
- Sound Rated A
- Surge Protected
- Overcurrent Protection
- End of Lamp Life Protection
- Class P Thermally Protected (Inherent)
- Auto Restart
- No PCBs

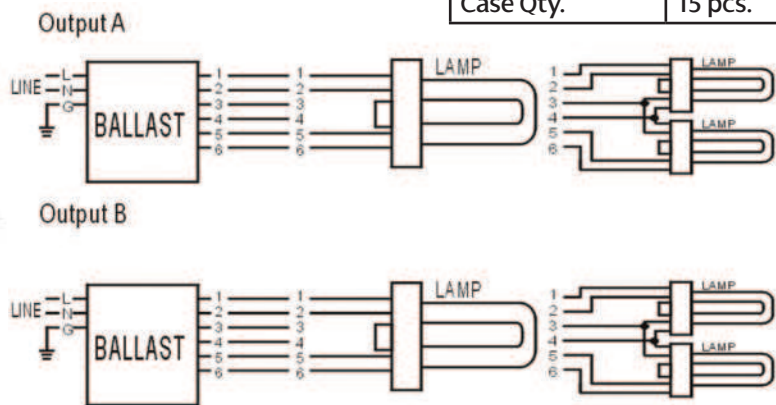


APPLICATION

- Minimum Starting Temp -30°C
- Maximum Case Temp 90°C
- Remote Wiring Length up to 25 ft

Dimensions

Length (L)	12.8"
Width (W)	2.52"
Height (H)	1.18"
Mounting (M)	12.5"
Weight	2.01 lbs.
Case Qty.	15 pcs.



INSTALLATION

- Install in accordance with the National Electrical Code
- Use with 600V rated wire
- Use external ground wire
- Do not connect any lamp lead to neutral
- Mounting side of ballast package must be in complete contact with metallic fixture surface for proper thermal dissipation

RoHS
COMPLIANT
LEAD-FREE



WARRANTY

AC Electronics warrants to the purchaser that each electronic ballast will be free from defects in material or workmanship for a period of 3 years from the date of manufacture when properly installed and under normal conditions of use.

Administration & Distribution Center: 3401 Avenue D, Arlington, TX 76011

1-800-375-6355 • www.ace-ballast.com

Data is based upon tests performed by AC Electronics in a controlled environment and representative performance. Actual performance can vary depending on operating conditions. Specifications are subject to change without notice. All specifications are nominal unless otherwise noted.

