

## EST-340PBXS

Type: Programmed Rapid Start Electronic Ballast

Lamp Connection: Dual Lamps in Series

Lamp Types:

Two or Three PL-L 40, 39 or 36 Watt  
SLI lamps or cross reference GE,  
Philips or Sylvania/OSRAM lamps



### SPECIFICATIONS

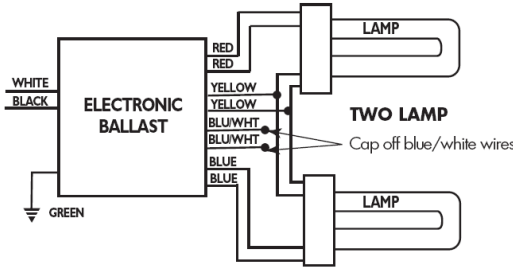
Input Voltage	Number of Lamps	Lamp Type	Lamp Watts	Input Watts (typical)	Input Current (typical)	Power Factor	Max THD	Crest Factor	Ballast Factor
347V	3	PL-L	40W	110W	0.32A	0.99	<10%	<1.7	0.90
347V	2	PL-L	40W	88W	0.25A	0.99	<10%	<1.7	1.00
347V	3	PL-L	39W	92W	0.26A	0.99	<10%	<1.7	0.65
347V	2	PL-L	39W	76W	0.22A	0.99	<10%	<1.7	0.82
347V	3	PL-L	36W	89W	0.25A	0.99	<10%	<1.7	0.75
347V	2	PL-L	36W	71W	0.20A	0.98	<10%	<1.7	0.89

### SAFETY & PERFORMANCE

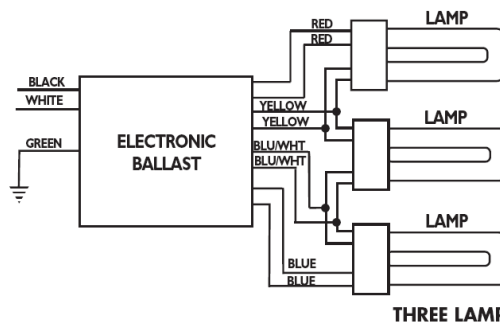
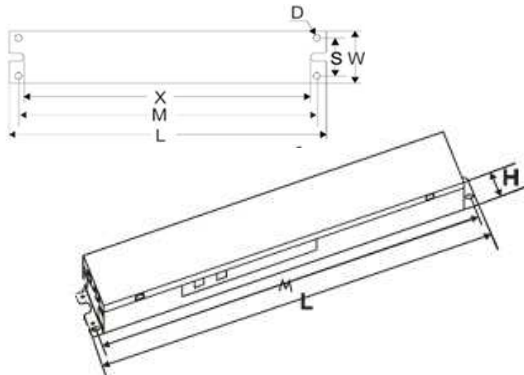
- 347V, 50/60Hz Input Voltage
- UL Listed
- cUL Listed
- Type HL
- High Power Factor
- EMI/RFI: Meets FCC Part 18 Subpart C
- Class P Thermally Protected (Inherent)
- Type 1 Outdoor
- Sound Rated A
- Surge Protected
- Auto Restart
- No PCBs

### APPLICATION

- Minimum Starting Temp -10°C
- Maximum Case Temp 90°C
- Remote Wiring Length up to 25 ft



Dimensions	
Length (L)	9.42"
Width (W)	2.33"
Height (H)	1.425"
Mounting (M)	8.9"
Mounting (S)	1.69"
Hole Diameter	0.20"
Weight	2.315 lbs.
Case Qty.	20 pcs.



Wiring Lengths	
Black	18.8"
White	18.8"
Red	31.0"
Blue	31.0"
Yellow	46.5"
Blue/White	31.0"

### INSTALLATION

- Install in accordance with the National Electrical Code
- Use with 600V rated wire
- Use external ground wire
- Do not connect any lamp lead to neutral
- Mounting side of ballast package must be in complete contact with metallic fixture surface for proper thermal dissipation



### WARRANTY

AC Electronics warrants to the purchaser that each electronic ballast will be free from defects in material or workmanship for a period of 3 years date of manufacture when operated at a max case temp of 90°C; 5 years when operated at a max case temp of <75°C, when properly installed and under normal conditions of use.

Administration & Distribution Center: 3401 Avenue D, Arlington, TX 76011  
1-800-375-6355 • www.ace-ballast.com

Data is based upon tests performed by AC Electronics in a controlled environment and representative performance. Actual performance can vary depending on operating conditions. Specifications are subject to change without notice. All specifications are nominal unless otherwise noted.

