

ESD-340PBXM

Type: Programmed Rapid Start Electronic Ballast

Lamp Connection: Dual Lamps in Series

Lamp Types:

One or Two FT40W, FT39W or FT36W

SLI lamps or cross reference GE,

Philips or Sylvania/OSRAM lamps



SPECIFICATIONS

Input Voltage	Number of Lamps	Lamp Type	Lamp Watts	Input Watts (typical)	Input Current (typical)	Power Factor	Max THD	Crest Factor	Ballast Factor	Bench Heat Test at 25°C Ambient
347V	2	FT40W	40W	74W	0.21A	0.99	<10%	<1.7	0.88	43°C
347V	1	FT40W	40W	44W	0.13A	0.98	<15%	<1.7	0.99	34°C
347V	2	FT39W	39W	62W	0.18A	0.98	<10%	<1.7	0.61	37°C
347V	1	FT39W	39W	36W	0.10A	0.98	<15%	<1.7	0.64	34°C
347V	2	FT36W	36W	59W	0.17A	0.98	<10%	<1.7	0.75	37°C
347V	1	FT36W	36W	36W	0.10A	0.98	<15%	<1.7	0.80	33°C

SAFETY & PERFORMANCE

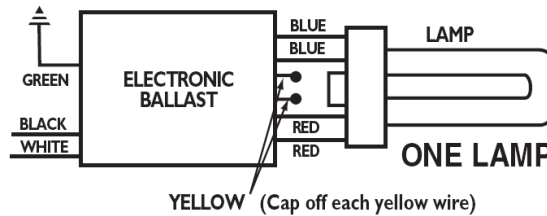
- 347V, 50/60Hz Input Voltage
- UL Listed
- cUL Listed
- Type HL
- High Power Factor
- Overcurrent Protection
- Class P Thermally Protected (Inherent)
- Type 1 Outdoor
- Sound Rated A
- Surge Protected
- Auto Restart
- No PCBs

APPLICATION

- Minimum Starting Temp -18°C
- Maximum Case Temp 75°C
- Remote Wiring Length up to 18 ft

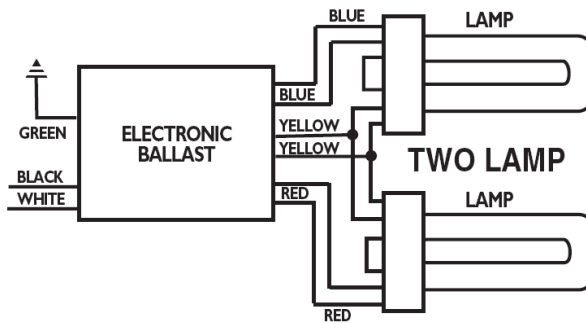
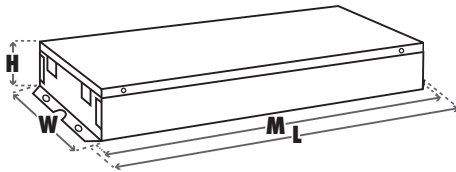
Dimensions

Length (L)	9.5"
Width (W)	1.7"
Height (H)	1.14"
Mounting (M)	8.9"
Mounting (S)	1.22"
Hole Diameter	0.209"
Weight	1.87 lbs.
Case Qty.	20 pcs.



Wiring Lengths

Black	16"
White	16"
Red	30"
Blue	30"
Yellow	46"



INSTALLATION

- Install in accordance with the National Electrical Code
- Use with 600V rated wire
- Use external ground wire
- Do not connect any lamp lead to neutral
- Mounting side of ballast package must be in complete contact with metallic fixture surface for proper thermal dissipation



WARRANTY

AC Electronics warrants to the purchaser that each electronic ballast will be free from defects in material or workmanship for a period of 5 years from the date of manufacture when properly installed and under normal conditions of use.

Administration & Distribution Center: 3401 Avenue D, Arlington, TX 76011
1-800-375-6355 • www.ace-ballast.com

Data is based upon tests performed by AC Electronics in a controlled environment and representative performance. Actual performance can vary depending on operating conditions. Specifications are subject to change without notice. All specifications are nominal unless otherwise noted.

