

ESPQ-A54T5S-S

Type: Programmed Rapid Start Electronic Ballast
Lamp Connection: Dual Lamps in Series
Lamp Applications:
One, Two, Three or Four FQ 54, FT55, FT50
or Four FQ 39 SLI or cross reference
GE, Philips or Sylvania/OSRAM lamps

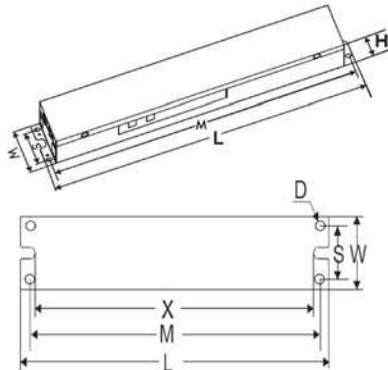


SPECIFICATIONS

Input Voltage	Number of Lamps	Lamp Type	Lamp Watts	Input Watts (typical)	Input Current (typical)	Power Factor	Max THD	Crest Factor	Ballast Factor
120	1	FQ 54	54W	60W	0.51A	0.97	<10%	<1.7	1.02
277	1	FQ 54	54W	60W	0.22A	0.97	<15%	<1.7	1.02
120	2	FQ 54	54W	118W	0.98A	0.998	<10%	<1.7	0.99
277	2	FQ 54	54W	118W	0.42A	0.98	<10%	<1.7	0.99
120	3	FQ 54	54W	176W	1.47A	0.99	<10%	<1.7	1.00
277	3	FQ 54	54W	180W	0.67A	0.97	<10%	<1.7	1.02
120	4	FQ 54	54W	230W	1.92A	0.99	<10%	<1.7	0.97
277	4	FQ 54	54W	232W	0.86A	0.98	<10%	<1.7	0.99
120	1	FT55	55W	56W	0.46A	0.97	<10%	<1.7	0.95
277	1	FT55	55W	56W	0.20A	0.97	<20%	<1.7	0.95
120	2	FT55	55W	102W	0.72A	0.98	<15%	<1.7	0.92
277	2	FT55	55W	102W	0.37A	0.98	<15%	<1.7	0.92
120	3	FT55	55W	153W	1.26A	0.99	<10%	<1.7	0.90
277	3	FT55	55W	154W	0.57A	0.97	<10%	<1.7	0.95
120	4	FT55	55W	198W	1.64A	0.99	<10%	<1.7	0.88
277	4	FT55	55W	198W	0.72A	0.98	<10%	<1.7	0.92
120	1	FT50	55W	55W	0.46A	0.97	<10%	<1.7	1.10
277	1	FT50	55W	54W	0.19A	0.97	<10%	<1.7	1.10
120	2	FT50	50W	103W	0.86A	0.97	<10%	<1.7	1.10
277	2	FT50	50W	103W	0.37A	0.97	<15%	<1.7	1.10
120	3	FT50	50W	169W	1.42A	0.99	<10%	<1.7	1.08
277	3	FT50	50W	170W	0.63A	0.97	<15%	<1.7	1.13
120	4	FT50	50W	224W	1.88A	0.99	<10%	<1.7	1.08
277	4	FT50	50W	224W	0.82A	0.98	<10%	<1.7	1.10
120	4	FQ 39	39W	170W	1.42A	0.99	<10%	<1.7	1.00
277	4	FQ 39	39W	174W	0.64A	0.97	<15%	<1.7	1.04

SAFETY & PERFORMANCE

- 120-277V, 50/60Hz Input Voltage
- UL Listed
- cUL Listed
- Type HL
- Type 1 Outdoor
- High Power Factor
- Sound Rated A
- Auto Restart
- Surge Protection
- End of Lamp Life Protection
- Class P Thermally Protected (Inherent)
- Thermal Trigger Protection
- Overcurrent Protection
- No PCBs



Wire Lengths

Black	18.80"
White	18.80"
Gray	18.80"
Blue	30.90"
Red	30.90"
Brown	30.90"
Orange	30.90"
Blue/White	48.00"
Yellow	56.00"

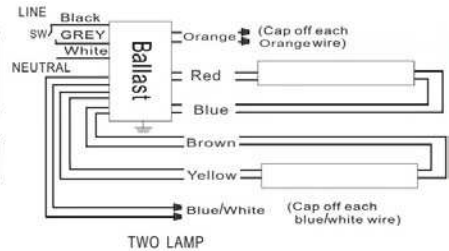
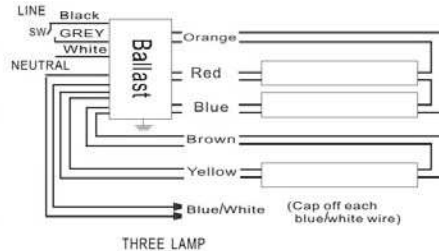
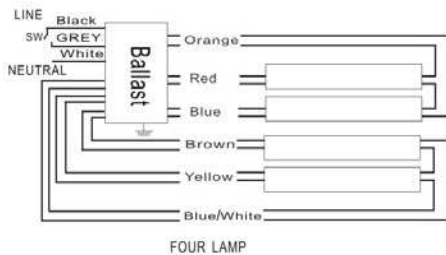
Dimensions

Length (L)	17.64"
Width (W)	1.69"
Height (H)	1.18"
Mounting (M)	17.17"
Mounting (S)	1.22"
Hole Diameter	0.20"
Weight	2.55 lbs.
Case Qty.	10 pcs.

APPLICATION

- Minimum Starting Temp -30°C
- Maximum Case Temp 90°C
- Remote Wiring Length up to 25 ft

SW	Number of Lamps On
ON	3 or 4 Lamps
OFF	1 or 2 Lamps



INSTALLATION

- Install in accordance with the National Electrical Code
- Use with 600V rated wire
- Use external ground wire
- Do not connect any lamp lead to neutral
- Mounting side of ballast package must be in complete contact with metallic fixture surface for proper thermal dissipation

WARRANTY

AC Electronics warrants to the purchaser that each electronic ballast will be free from defects in material or workmanship for a period of 3 years from the date of manufacture when operated at max case temp up to 90°C; 5 years when operated at max case temp up to <75°C, when properly installed and under normal conditions of use.



Administration & Distribution Center: 3401 Avenue D, Arlington, TX 76011 • 1-800-375-6355 • www.ace-ballast.com

Data is based upon tests performed by AC Electronics in a controlled environment and representative performance. Actual performance can vary depending on operating conditions. Specifications are subject to change without notice. All specifications are nominal unless otherwise noted.

