

EPD-175L

Type: Instant Start Electronic Ballast

Lamp Connection: Parallel

Lamp Types:

One or Two F72T12 or F96T12

SLI lamps or cross reference

Philips, GE and

Sylvania/OSRAM lamps

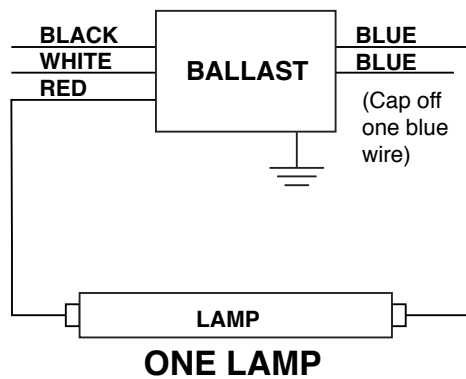


SPECIFICATIONS

| Input Voltage | Number of Lamps | Lamp Type | Lamp Watts | Input Watts (typical) | Input Current (typical) | Power Factor | Max THD | Crest Factor | Ballast Factor |
|---------------|-----------------|-----------|------------|-----------------------|-------------------------|--------------|---------|--------------|----------------|
| 120V | 1 | F72T12 | 57W | 68W | 0.57A | 0.99 | <10% | <1.7 | 1.05 |
| 120V | 2 | F72T12 | 57W | 108W | 0.93A | 0.99 | <10% | <1.7 | 0.93 |
| 120V | 1 | F96T12 | 75W | 83W | 0.69A | 0.99 | <10% | <1.7 | 1.04 |
| 120V | 2 | F96T12 | 75W | 145W | 1.26A | 0.99 | <10% | <1.7 | 0.90 |

SAFETY & PERFORMANCE

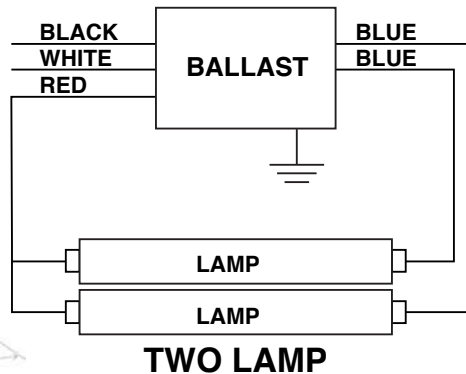
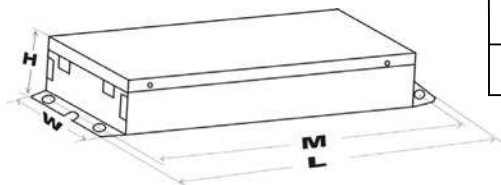
- 120V, 50/60Hz Input Voltage
- UL Listed
- CUL Listed
- Type HL
- Auto Restart
- High Power Factor
- Type 1 Outdoor
- Sound Rated A
- Surge Protected
- EMI/RFI: Meets Fcc Part 18 Subpart C
- Class P Thermally Protected (Inherent)
- No PCBs



| Dimensions | |
|---------------|-----------|
| Length (L) | 9.50" |
| Width (W) | 2.33" |
| Height (H) | 1.45" |
| Mounting (M) | 8.90" |
| Mounting (S) | 1.80" |
| Hole Diameter | 0.20 |
| Weight | 2.31 lbs. |
| Case Qty. | 20 pcs. |

APPLICATION

- Minimum Starting Temp -18°C
- Maximum Case Temp 75°C
- Remote Wiring Length up to 18 ft



| Wire Lengths | |
|--------------|-------|
| Black | 18.8" |
| White | 18.8" |
| Red | 30.9" |
| Blue | 30.9" |
| Yellow | 46.4" |

INSTALLATION

- Install in accordance with the National Electrical Code
- Use with 600V rated wire
- Use external ground wire
- Do not connect any lamp lead to neutral
- Mounting side of ballast package must be in complete contact with metallic fixture surface for proper thermal dissipation



WARRANTY

AC Electronics warrants to the purchaser that each electronic ballast will be free from defects in material or workmanship for a period of 3 years from the date of manufacture when properly installed and under normal conditions of use.

Administration & Distribution Center: 3401 Avenue D, Arlington, TX 76011
1-800-375-6355 • www.ace-ballast.com

Data is based upon tests performed by AC Electronics in a controlled environment and representative performance. Actual performance can vary depending on operating conditions. Specifications are subject to change without notice. All specifications are nominal unless otherwise noted.

