

# TSS-UV96PBXMS

Type: Programmed Start Electronic Ballast  
Lamp Connection: Single  
Lamp Types:  
One 80WT5HO  
SLI lamp or cross reference Philips,  
GE and Sylvania/OSRAM lamp



## SPECIFICATIONS

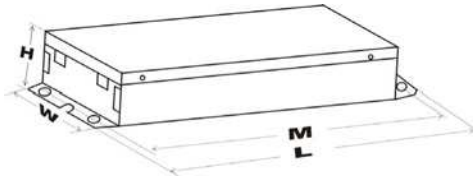
Input Voltage	Number of Lamps	Lamp Type	Lamp Watts	Input Watts (typical)	Input Current (typical)	Power Factor	Max THD	Crest Factor	Ballast Factor	Bench Heat Test at 25°C Ambient
120V	1	80T5HO	80W	76W	0.60A	0.99	<10%	<1.7	0.87	55°C
230V	1	80T5HO	80W	76W	0.33A	0.99	<10%	<1.7	0.85	55°C
277V	1	80T5HO	80W	77W	0.28A	0.98	<10%	<1.7	0.86	55°C

## SAFETY & PERFORMANCE

- 120-277V, 50/60Hz Input Voltage
- UL Listed
- cUL Listed
- Type HL
- High Power Factor
- Type 1 Outdoor
- Sound Rated A
- Auto Restart
- Surge Protected
- End of Lamp Life Protection
- EMI/RFI: Meets FCC Part 18 Subpart C
- Class P Thermally Protected (Inherent)
- No PCBs

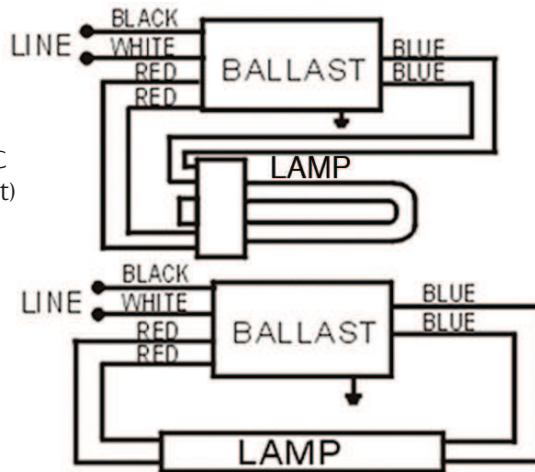
## APPLICATION

- Minimum Starting Temp -30°C
- Maximum Case Temp 90°C
- Remote Wiring Length up to 25 ft



## Dimensions

Length (L)	9.50"
Width (W)	1.70"
Height (H)	1.14"
Mounting (M)	8.90"
Weight	1.60 lbs.
Case Qty.	30 pcs.



## Wire Lengths

Black	18.8"
White	18.8"
Red	46.4"
Blue	30.9"

## INSTALLATION

- Install in accordance with the National Electrical Code
- Use with 600V rated wire
- Use external ground wire
- Do not connect any lamp lead to neutral
- Mounting side of ballast package must be in complete contact with metallic fixture surface for proper thermal dissipation



## WARRANTY

AC Electronics warrants to the purchaser that each electronic ballast will be free from defects in material or workmanship for a period of 3 years date of manufacture when operated at a max case temp of 90°C; 5 years when operated at a max case temp of <75°C, when properly installed and under normal conditions of use.

Administration & Distribution Center: 3401 Avenue D, Arlington, TX 76011  
1-800-375-6355 • www.ace-ballast.com

Data is based upon tests performed by AC Electronics in a controlled environment and representative performance. Actual performance can vary depending on operating conditions. Specifications are subject to change without notice. All specifications are nominal unless otherwise noted.

