

## ESS-396PBXSX2

Type: Programmed Start Electronic Ballast

Lamp Connection: Dual Lamps in Series

Lamp Types:

One or Two FQ80WT5

SLI lamps or cross

reference Philips, GE and Sylvania/OSRAM lamps

### SPECIFICATIONS

Input Voltage	Number of Lamps	Lamp Type	Lamp Watts	Input Watts (typical)	Input Current (typical)	Power Factor	Max THD	Crest Factor	Ballast Factor	Bench Heat Test at 25°C Ambient
347V	2	FQ80WT5	80W	172W	0.47A	0.99	<10%	<1.7	0.92	55°C
347V	1	FQ80WT5	80W	85W	0.23A	0.99	<10%	<1.7	0.93	55°C

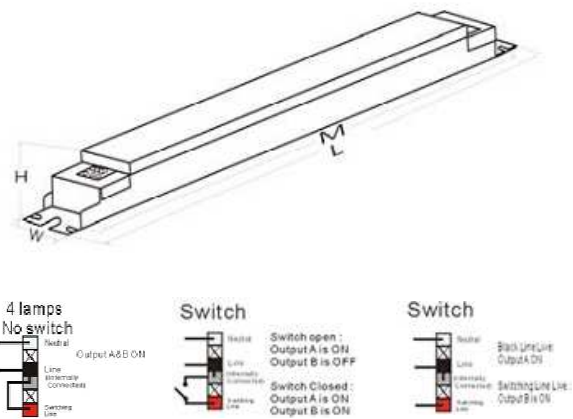
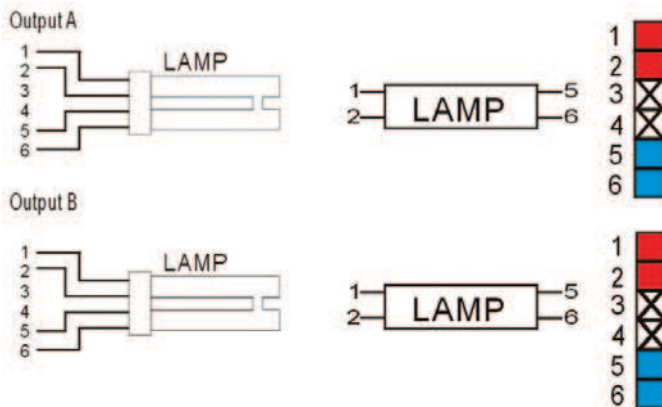
### SAFETY & PERFORMANCE

- 347V, 50/60Hz Input Voltage
- UL Listed
- cUL Listed
- Type HL
- High Power Factor
- Type 1 Outdoor
- Sound Rated A
- Surge Protected
- FCC Part 18 Class A
- End of Lamp Life Protection
- Class P Thermally Protected (Inherent)
- No PCBs

### APPLICATION

- Minimum Starting Temp -30°C
- Maximum Case Temp 90°C
- Remote Wiring Length up to 25 ft

Dimensions	
Length (L)	12.8"
Width (W)	2.52"
Height (H)	1.18"
Mounting (M)	12.5"
Mounting (S)	1.73"
Hole Diameter	0.19"
Weight	2.20 lbs.
Case Qty.	15 pcs.



### INSTALLATION

- Install in accordance with the National Electrical Code
- Use with 600V rated wire
- Use external ground wire
- Do not connect any lamp lead to neutral
- Mounting side of ballast package must be in complete contact with metallic fixture surface for proper thermal dissipation



### WARRANTY

AC Electronics warrants to the purchaser that each electronic ballast will be free from defects in material or workmanship for a period of 3 years from the date of manufacture when properly installed and under normal conditions of use.

Administration & Distribution Center: 3401 Avenue D, Arlington, TX 76011  
1-800-375-6355 • www.ace-ballast.com

Data is based upon tests performed by AC Electronics in a controlled environment and representative performance. Actual performance can vary depending on operating conditions. Specifications are subject to change without notice. All specifications are nominal unless otherwise noted.

