

Energy Start-Rs AC-213NPF

Type: Rapid Start Electronic Ballast
Lamp Connection: Dual Lamp in Parallel
Lamp Types: Two 13 W CFQ/CFM
SLI or cross reference Philips,
GE or Sylvania/OSRAM lamps



SPECIFICATIONS

Input Voltage	Number of Lamps	Lamp Type	Lamp Watts	Input Watts (avg)	Input Current (max)	Power Factor	Max THD	Crest Factor	Ballast Factor
120V	2	CFQ or CFM	13W	23W	0.35A	.63	<150	<1.7	0.82

SAFETY & PERFORMANCE

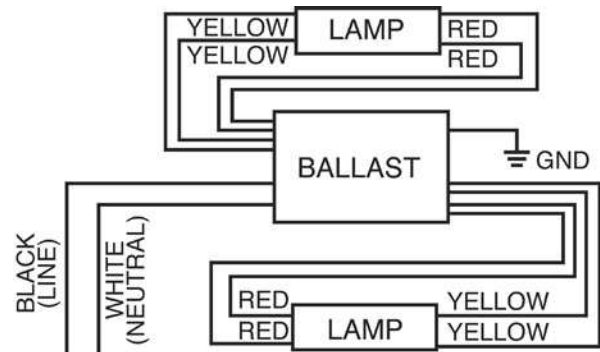
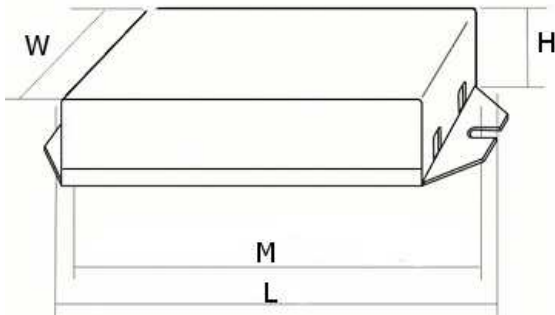
- 120V, 50-60Hz Input Voltage
- UL Listed
- cUL Listed
- Normal Power Factor
- Type 1 Outdoor
- Sound Rating A
- Surge Protection
- EMI/RFI: Meets FCC 18 Subpart C
- End of Lamp Life Protection
- Class P Thermally Protected (Inherent)
- Auto Restart
- No PCBs

Wire Lengths	
Black	5"
White	5"
Red	5"
Yellow	5"

Dimensions	
Length (L)	5.13"
Width (W)	2.43"
Height (H)	0.89"
Mounting (M)	4.73"
Hole Diameter	0.14"
Weight	0.61 lbs.
Case Qty.	30 pcs.

APPLICATION

- Minimum Starting Temp -18°C
- Maximum Case Temp 75°C
- Remote Wiring Length up to 18 ft



INSTALLATION

- Install in accordance with the National Electrical Code
- Use with 600V rated wire
- Use external ground wire
- Do not connect any lamp lead to neutral
- Mounting side of ballast package must be in complete contact with metallic fixture surface for proper thermal dissipation

ROHS
COMPLIANT
LEAD-FREE



WARRANTY

AC Electronics warrants to the purchaser that each electronic ballast will be free from defects in material or workmanship for a period of 2 years from the date of manufacture when properly installed and under normal conditions of use.

Administration & Distribution Center: 3401 Avenue D, Arlington, TX 76011
1-800-375-6355 • www.ace-ballast.com

Data is based upon tests performed by AC Electronics in a controlled environment and representative performance. Actual performance can vary depending on operating conditions. Specifications are subject to change without notice. All specifications are nominal unless otherwise noted.

