

Energy Start-Rs AC-118PNPF

Type: Rapid Start Electronic Ballast
Lamp Connection: Single
Lamp Types: One 18 W CFQ/CFM
SLI lamps or cross reference GE,
Philips or Sylvania/OSRAM lamps



SPECIFICATIONS

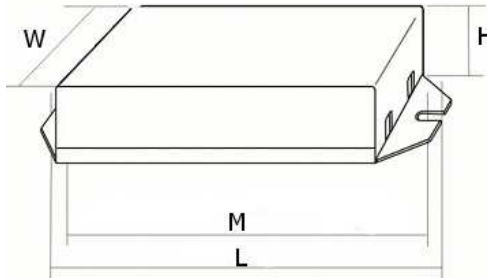
Input Voltage	Number of Lamps	Lamp Type	Lamp Watts	Input Watts (typical)	Input Current (typical)	Power Factor	Max THD	Crest Factor	Ballast Factor	Bench Heat Test at 25°C Ambient
120V	1	CFQ or CFM	18W	18W	0.26A	.56	<150%	<1.7	0.97	<50°C

SAFETY & PERFORMANCE

- 120V, 50/60Hz Input Voltage
- UL Listed
- cUL Listed
- Type 1 Outdoor
- Sound Rating A
- Open Circuit Protection
- Short Circuit Protection Auto Shut Off in seconds
- Power Factor Normal
- EMI/RFI: Complies with FCC 18 Subpart C
- Lamp Fail Protection
- End of Lamp Life Protection
- Class P Thermally Protected (Inherent)
- No PCBs

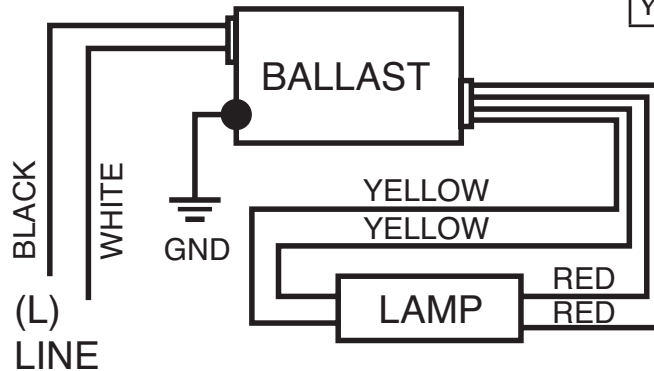
APPLICATION

- Minimum Starting Temp -18°C
- Maximum Case Temp 80°C
- Remote Wiring Length up to 18 ft



Parameters	
Length (L)	3.3"
Width (W)	2.0"
Height (H)	0.85"
Mounting (M)	2.73"
Hole Diameter	0.14"
Weight	0.32 lbs.
Case Qty.	50 pcs.

Wire Lengths	
Black	5"
White	5"
Red	5"
Yellow	5"



INSTALLATION

- Install in accordance with the National Electrical Code
- Use with 600V rated wire
- Use external ground wire
- Do not connect any lamp lead to neutral
- Mounting side of ballast package must be in complete contact with metallic fixture surface for proper thermal dissipation



WARRANTY

AC Electronics warrants to the purchaser that each electronic ballast will be free from defects in material or workmanship for a period of 2 years from the date of manufacture when properly installed and under normal conditions of use.

Administration & Distribution Center: 3401 Avenue D, Arlington, TX 76011
1-800-375-6355 • www.ace-ballast.com

Data is based upon tests performed by AC Electronics in a controlled environment and representative performance. Actual performance can vary depending on operating conditions. Specifications are subject to change without notice. All specifications are nominal unless otherwise noted.

