

# Energy Start-Rs AC-226NPF

Type: Rapid Start Electronic Ballast  
Lamp Connection: Dual Lamp in Parallel  
Lamp Types:  
Two 26 W CFQ/CFM  
SLI lamps or cross reference Philips,  
GE, Philips or Sylvania/OSRAM lamps



## SPECIFICATIONS

Input Voltage	Number of Lamps	Lamp Type	Lamp Watts	Input Watts (avg)	Input Current (max)	Power Factor	Max THD	Crest Factor	Ballast Factor
120V	2	CFQ or CFM	26W	51W	0.75A	.56	<15	<1.7	0.98

## SAFETY & PERFORMANCE

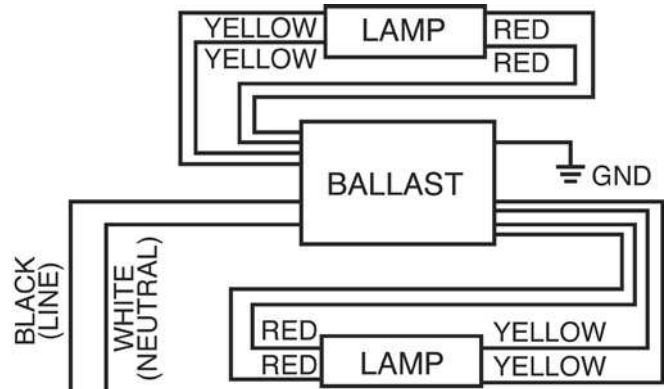
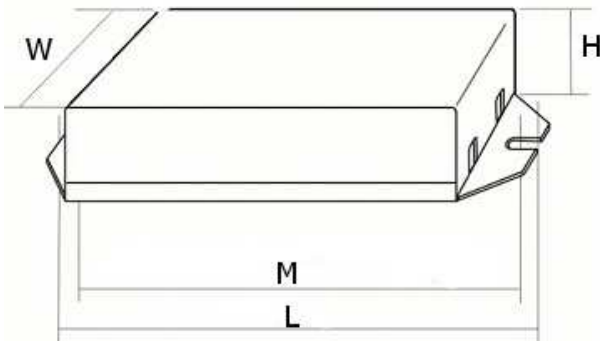
- 120V, 50-60Hz Input Voltage
- UL Listed
- cUL Listed
- Normal Power Factor
- Sound Rated A
- Surge Protection
- Type 1 Outdoor
- RFI/EMI: Meets FCC Part 18 Subpart C
- End of Lamp Life Protection
- Class P Thermally Protected (Inherent)
- Auto Restart
- No PCBs

Wire Lengths	
Black	5"
White	5"
Red (2)	5"
Yellow (2)	5"

Dimensions	
Length (L)	5.13"
Width (W)	2.43"
Height (H)	0.89"
Mounting (M)	4.73"
Hole Diameter	0.14"
Weight	0.61 lbs.
Case Qty.	30 pcs.

## APPLICATION

- Minimum Starting Temp -18°C
- Maximum Case Temp 75°C
- Remote Wiring Length up to 18 ft



## INSTALLATION

- Install in accordance with the National Electrical Code
- Use with 600V rated wire
- Use external ground wire
- Do not connect any lamp lead to neutral
- Mounting side of ballast package must be in complete contact with metallic fixture surface for proper thermal dissipation



## WARRANTY

AC Electronics warrants to the purchaser that each electronic ballast will be free from defects in material or workmanship for a period of 2 years from the date of manufacture when properly installed and under normal conditions of use.

Administration & Distribution Center: 3401 Avenue D, Arlington, TX 76011  
1-800-375-6355 • www.ace-ballast.com

Data is based upon tests performed by AC Electronics in a controlled environment and representative performance. Actual performance can vary depending on operating conditions. Specifications are subject to change without notice. All specifications are nominal unless otherwise noted.

