



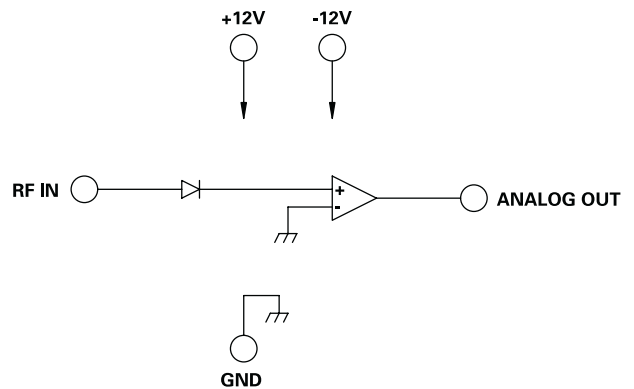
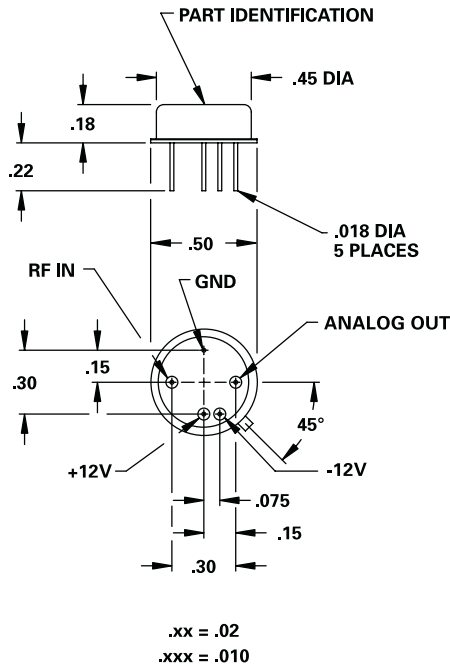
# MODEL NUMBER DAD02006

## Analog Level Detector

### FEATURES

- 500-2000 MHz
- $\pm 0.4$  dB Temperature Stability
- 185 mV Output Voltage @  $P_{in} = -10$  dBm
- $\pm 1$  dB Input Flatness
- Broad Temperature Range
- 5 Pin TO-8 Package
- -20 to +10 dBm Dynamic Range

TD



### GUARANTEED PERFORMANCE

Parameter	Min	Typ	Max	Units	Conditions
Operating Frequency	500		2000	MHz	
Dynamic Range	-20		+10	dBm	
Temperature Stability		$\pm 0.4$	$\pm 1.0$	dB	+10 to -10 dBm
Input Flatness		$\pm 0.4$	$\pm 1.0$	dB	+10 to -10 dBm
Analog Output		835		mV	$P_{in} = 0$ dBm
		410		mV	$P_{in} = -5$ dBm
		185		mV	$P_{in} = -10$ dBm
Rise Time		12	20	$\mu$ Sec	10% / 90%
Input VSWR		1.4/1	1.7/1		
Output Offset Drift		50		mV	No Input Power Over Temp.
DC Current		1.4	2	mA	At +12 VDC
		1.5	2	mA	At -12 VDC
Operating Temperature	-55	+25	+110	$^{\circ}$ C	TA

### TYPICAL PERFORMANCE at 25 $^{\circ}$ C

