

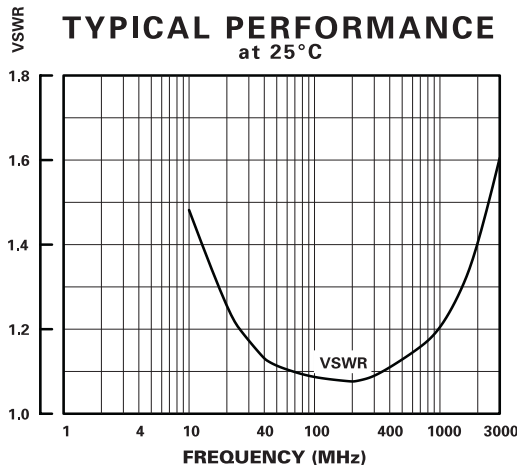
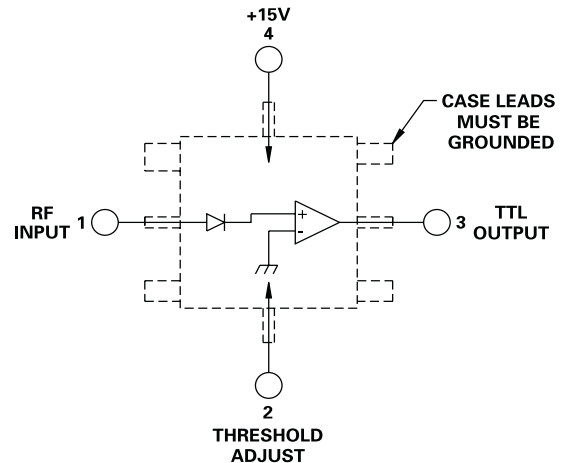
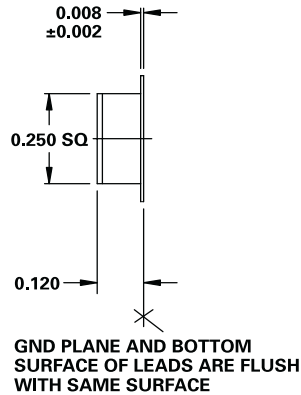
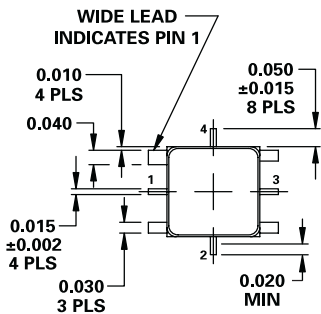
# MODEL NUMBER DTD05080

# Threshold Detector

## FEATURES

- 400-450
- 1.0 dB Hysteresis
- Input / Output Operating Range  $\pm 10$  dB
- Surface Mount Package

TD



## GUARANTEED PERFORMANCE

| Parameter             | Min    | Typ      | Max       | Units     | Conditions                                   |
|-----------------------|--------|----------|-----------|-----------|--|
| Operating Frequency   | 400    |          | 450       | MHz       |  |
| Dynamic Range         | -10    |          | +10       | dBm       |  |
| Hysteresis            |        | 1.0      | 1.2       | dB        |  |
| Temperature Stability |        | $\pm 15$ | $\pm 0.5$ | dB        |  |
| Input Flatness        |        | $\pm 35$ | $\pm 0.5$ | dB        |  |
| Transition Time       |        | 2.3      | 3         | $\mu$ Sec | 90% / 10% or 10% / 90% RF                    |
| Input VSWR            |        | 1.12/1   | 1.5/1     |           |  |
| Output Current        | Source | 3        | 8.6       | mA        | Output Short Circuit Current<br>VOL = +0.7 V |
|                       | Sink   | 2        | 24        | mA        |  |
| DC Current            |        | 11       | 15        | mA        | +15 V  |
| Operating Temperature | 0      | +25      | +60       | °C        | TA   |