

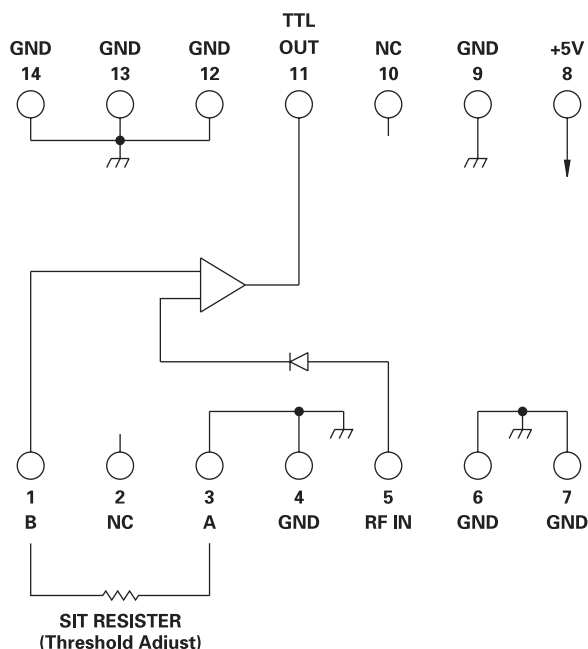
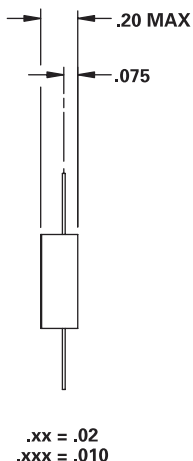
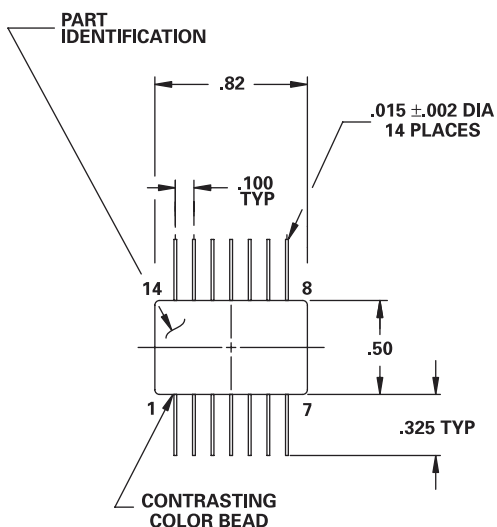
MODEL NUMBER DTD08035

Threshold Detector

FEATURES

- 10-1500 MHz
- Detects from -25 dBm
- 0.8 dB Hysteresis
- Temperature Compensated
- 14 Pin Flatpack

TD



GUARANTEED PERFORMANCE

Parameter	Min	Typ	Max	Units	Conditions
Operating Frequency	10		1500	MHz	
Dynamic Range	-25		-10	dBm	
Hysteresis		0.8	1.2	dB	
Temperature Stability		±0.5	±1.5	dB	
Input Flatness		±0.5	±1.5	dB	
Response Time (Note 1)		150	300	µSec	90% / 10% or 10% / 90% RF
Input VSWR	Thru	1.5/1	2.0/1		
Output Current	Source	1	10.7	mA	VOH = +2.7 V
	Sink	1	2.02	mA	VOL = +0.5 V
DC Current		4.5	5	mA	At +5 VDC
Operating Temperature	-55	+25	+90	°C	TA

Note: Response Time For Input Change > 3 dB Above CW Threshold Output Loading 1 m Ω and 80 pf