

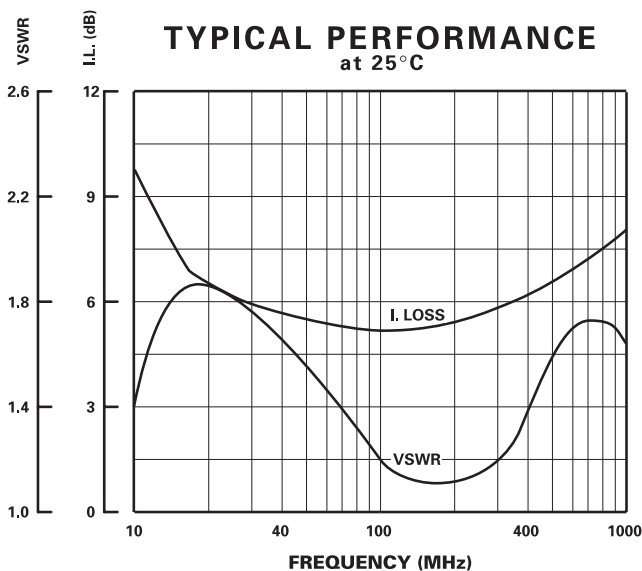
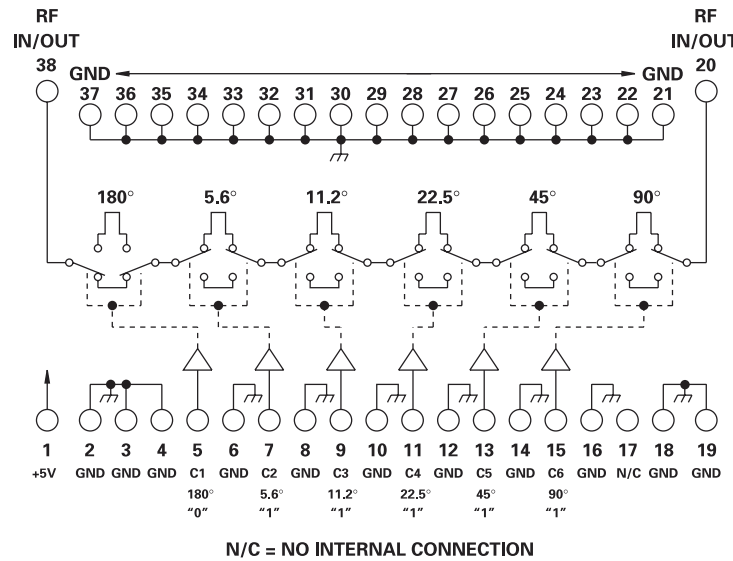
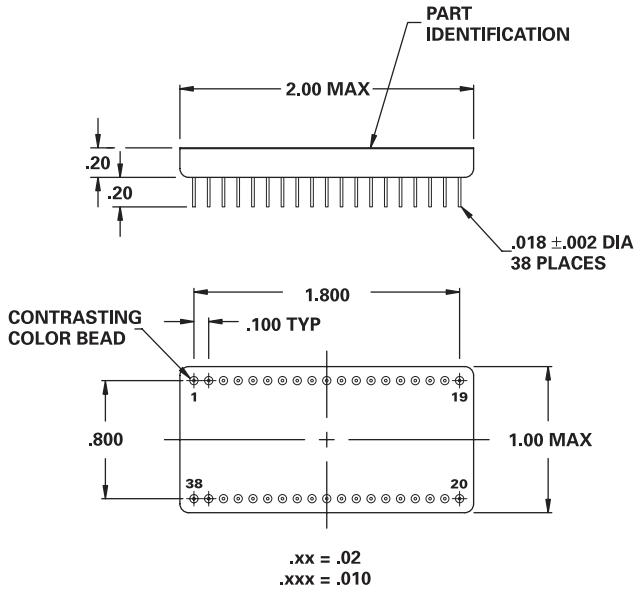
MODEL NUMBER DP0921

Phase Shifter 6 Section

FEATURES

- 400-450 MHz
- ± 2.8 Deg. Phase Accuracy
- 2 mA, +5 VDC
- 40 nSec Switching Speed
- TTL Control
- 38 Pin DIP

6 BIT



GUARANTEED PERFORMANCE

Parameter	Min	Typ	Max	Units	Conditions
Operating Frequency	400		450	MHz	
DC Current		2	30	mA	At +5 VDC Supply
Control Type		TTL			6 Line Logic "0" = Thru Logic "1" = Phase Shift
Control Current	High	0	± 2	μ A	$V_{IH} = +2.7$ V
	Low	0	± 2	μ A	$V_{IL} = +0.5$ V
Insertion Loss		6.2	6.7	dB	
Phase	LSB	0	5.6	DEG	5.6, 11.2, 22.5, 45, 90, 180
	Range Accuracy		354.3	DEG	
			± 2.8	DEG	
VSWR		1.36/1	1.5/1		
Impedance		50		OHMS	
Switching Speed		44	150	nSec	50% TTL to 90% / 10% RF
Transition (Rise/Fall) Time		11	40	nSec	90% / 10% or 10% / 90% RF
Switching (Video) Transients			140	mV	Peak Value
Intercept Points	2nd	+52.0		dBm	250 MHz / 150 MHz
	3rd	+27.5		dBm	125 MHz / 150 MHz
RF Power	Operate	+8.5	+6	dBm	0.1 dB Compression
	No Damage		+27	dBm	
Operating Temperature	-55	+25	+125	$^{\circ}$ C	TA