

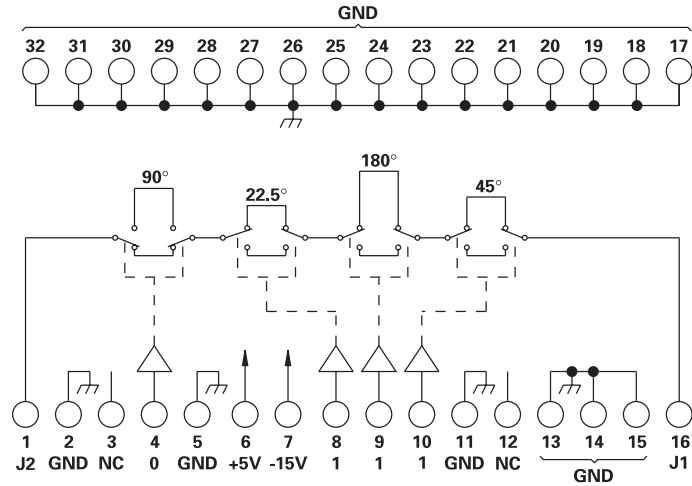
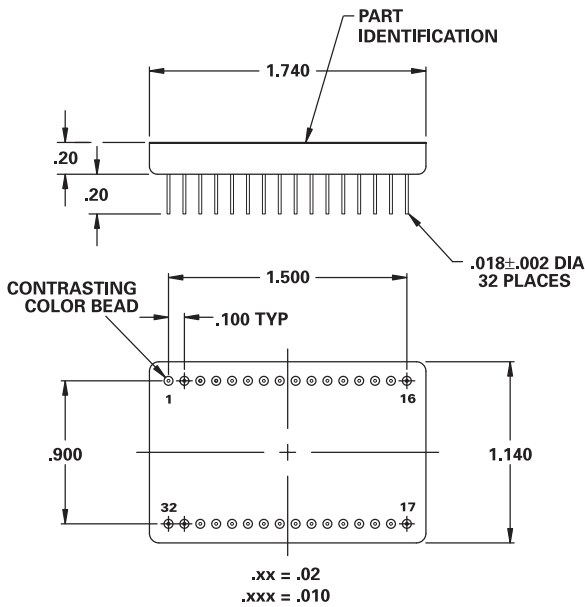
MODEL NUMBER CPS42127

Phase Shifter 4 Section

FEATURES

- 1215 - 1400 MHz
- 22.5° LSB, 337.5° Range
- TTL Driver

4 BIT



NC = NO CONNECTION

GUARANTEED PERFORMANCE

| Parameter | Min | Typ | Max | Units | Conditions |
|------------------------------|---|------------|-----------------------------------|--------------------------|---|
| Operating Frequency | 1215 | | 1400 | MHz | |
| DC Current | | 8 75 | 250 200 | mA mA | At +5 VDC Supply At -15 VDC Supply |
| Control Type | | TTL | | | 4 Lines Logic "0" = Refer Phase Logic "1" = Phase Shift |
| Control Current | High Low | 0 0 | ±20 ±20 | µA µA | V _{IH} = +5.0V V _{IL} = +0.8 V |
| Insertion Loss | 1.05 0.80 | 1.9 | 2.55 2.80 | dB dB | At 20° C At Temperature Extremes |
| Phase: | Steps Range Accuracy Linearity | | 22.5 337.5 ±6 1.5 3.0 | DEG DEG DEG DEG | 22.5, 45, 90, 180 At 1215 MHz |
| VSWR | | 1.25/1 | 1.5/1 | | 1215 - 1400 MHz |
| Impedance | | 50 | | OHMS | |
| Time Delay | | 650 | 850 | 1.050 | SEC |
| Switching Speed | | .660 | 3.5 | µSEC | 50% TTL to 90% / 10% RF |
| Transition (Rise/Fall) Time | | .043 | | µSEC | 10% / 90% or 90% / 10% RF |
| Switching (Video) Transients | | 36 | | mV | Peak Value |
| Intercept Points | 2nd 3rd | +64 +42 | | dBm dBm | 575 / 400 MHz 287.5 / 400 MHz |
| RF Power | Operate No Damage | +28 +30 | +10 +30 | dBm dBm | 0.1 dB Compression |
| Operating Temperature | | -54 | +25 | +80 | °C TA |

