

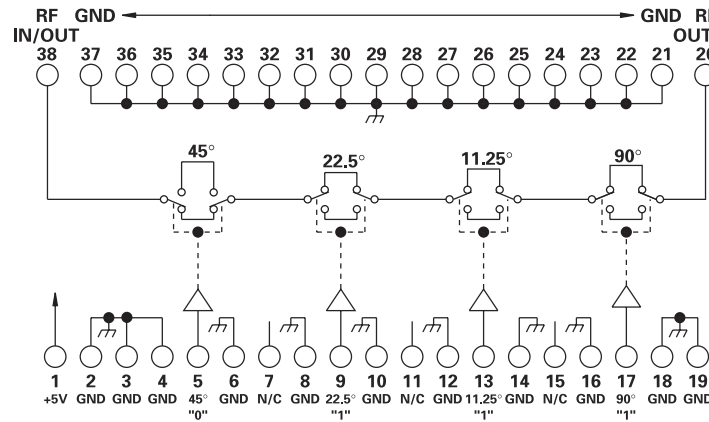
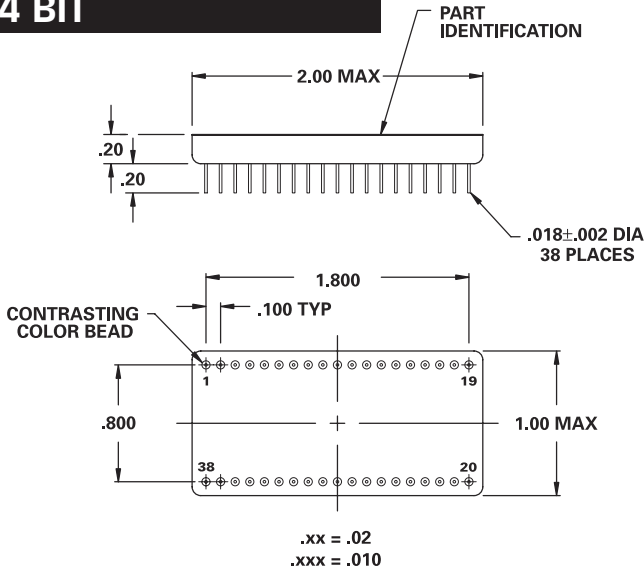
# MODEL NUMBER DPS42028

# Phase Shifter 4 Section

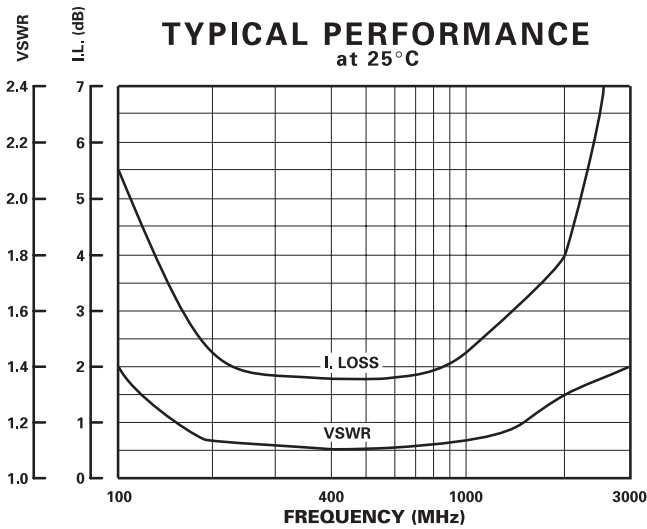
## FEATURES

- 500-1000 MHz
- Multiple Bit Phase Shifter in Small Package
- 38 Pin DIP

## 4 BIT



## TYPICAL PERFORMANCE at 25°C



## GUARANTEED PERFORMANCE

Parameter	Min	Typ	Max	Units	Conditions
Operating Frequency	500	700	1000	MHz	
DC Current		47	100	mA	At +5 VDC Supply
Control Type		TTL			4 Line Logic "0" = Thru Logic "1" = Phase
Control Current	High	±10		µA	VIH = +2.7 V
	Low	±10		µA	VIL = +0.5 V
Insertion Loss		2.1	3.0	dB	
Phase	LSB	11.25		DEG	11.25, 22.5, 45, 90 DEG
	Range	0	168.75	DEG	At 700 MHz
	Accuracy		±5	DEG	Any One Bit
			±10	DEG	Any Combination
VSWR		1.10/1	1.35/1		
Impedance		50		OHMS	
Switching Speed		140	500	nSec	50% TTL to 90% / 10% RF
Transition (Rise/Fall) Time		70		nSec	90% / 10% or 10% / 90% RF
Switching (Video) Transients		300		mV	Peak Value
Intercept Points	2nd	+71		dBm	300 MHz / 200 MHz
	3rd	+32		dBm	350 MHz / 200 MHz
RF Power	Operate	+13	+10	dBm	0.1 dB Compression
	No Damage		+23	dBm	
Operating Temperature	-55	+25	+85	°C	TA