

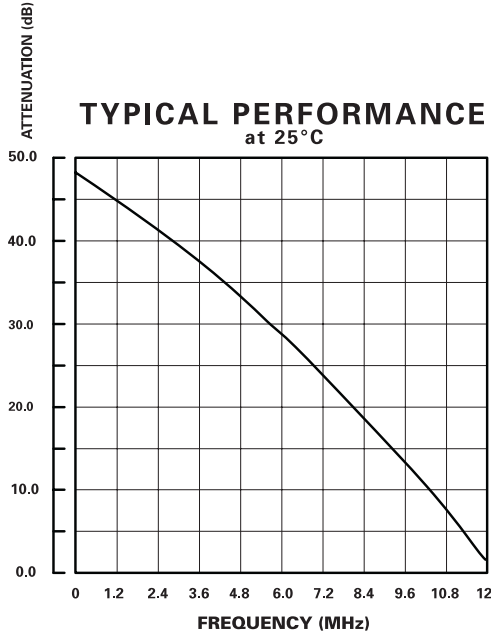
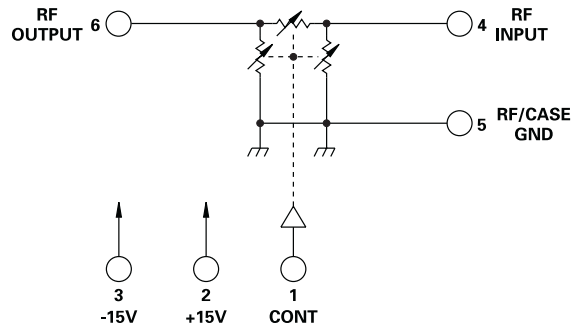
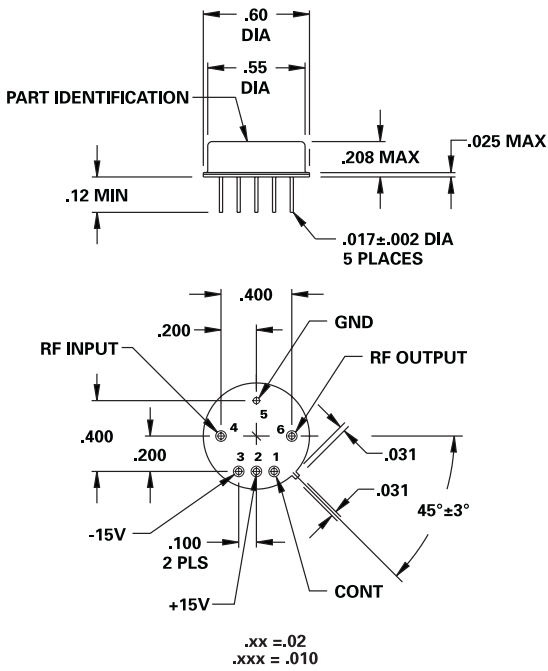
# MODEL NUMBER CATV2226

VCA

## FEATURES

- 450 - 950 MHz
- Linear
- 57 dB Range

## VCA



## GUARANTEED PERFORMANCE

Parameter	Min	Typ	Max	Units	Conditions
Operating Frequency	450		950	MHz	
DC Current		23	40	mA	At +15 VDC Supply At -15 VDC Supply
Control Current		1.3	14	mA	0 V = Max Attenuation
Control Voltage Range	-12		0	V	
Insertion Loss		3	5	dB	At -12 VDC Supply
Attenuation Range	53.5	57		dB	0 VDC
Variation Over Frequency		0.3	±1	dB	0 - 25 dB Attenuation
			±1.2	dB	26 - 30 dB Attenuation
			±2.0	dB	31 - 54 dB Attenuation
Linearity (note)	-6.5		+6.5	dB	3 - 53.5 dB Attenuation
Response Time			4	µSec	50% Input V to 90% RF
VSWR		1.25/1	2.0/1		
Impedance		50		OHMS	
Third Order IMD Products	-25			dBc	0 - 25 dB Attenuation
RF Power			+15	dBm	Operate
			+20	dBm	No Damage
Operating Temperature	-55	+25	+105	°C	TA

Note: Straight Line Attenuation in dB = [(-4.75 dB / Volt) x Cont.Volt] - 60 dB