

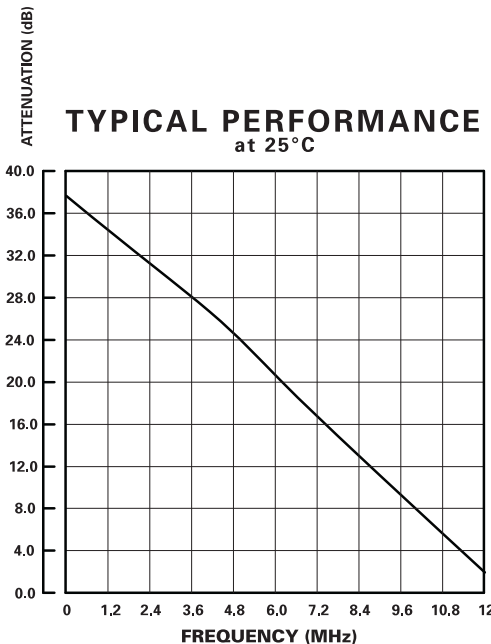
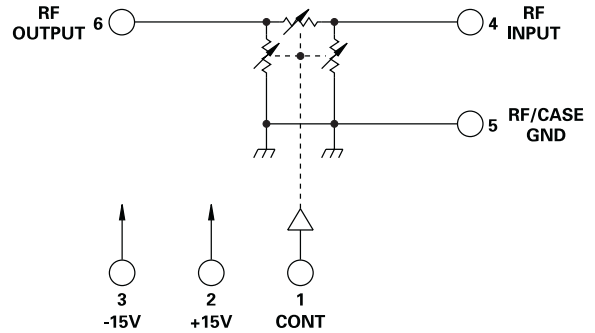
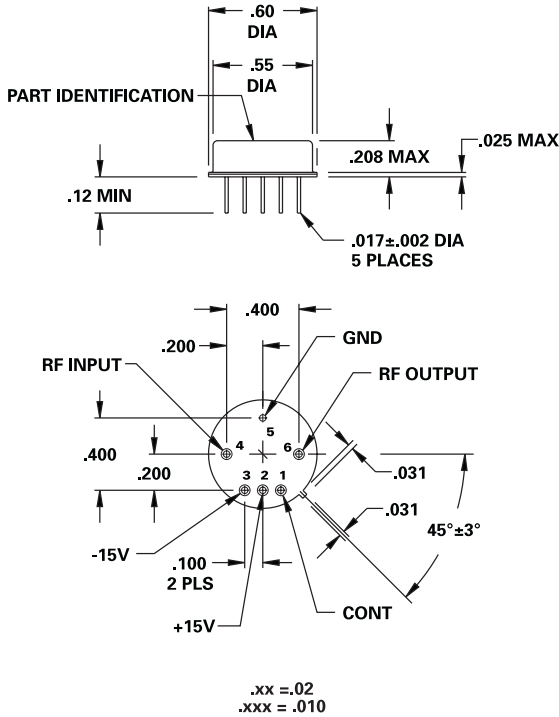
**MODEL NUMBER
CATV2225**

VCA

FEATURES

- 450 - 950 MHz
- Linear
- 38 dB Range

VCA



GUARANTEED PERFORMANCE

Parameter	Min	Typ	Max	Units	Conditions
Operating Frequency	450		950	MHz	
DC Current		12	40	mA	At +15 VDC Supply
		14	40	mA	At -15 VDC Supply
Control Current		2.4	14	mA	
Control Voltage Range	-12		0	V	
Insertion Loss		3	4.5	dB	At -12 VDC Supply
Attenuation Range	33.5	38		dB	0 VDC
Variation Over Frequency		0.5	±1	dB	0 - 25 dB Attenuation
			±1.2	dB	26 - 30 dB Attenuation
Linearity (Note)	-4.5		+4.5	dB	4.5 - 33.5 dB Attenuation
Response Time			4	µSec	50% Input V to 90% RF
VSWR		1.25/1	2.0/1		
Impedance		50		OHMS	
Third Order IMD Products	-25			dBc	0 - 25 dB Attenuation
RF Power			+15	dBm	
			+20	dBm	
Operating Temperature	-55	+25	+105	°C	TA

Note: Straight Line Attenuation in dB = [(-3 dB / Volt) x Cont.Volt] -38 dB