



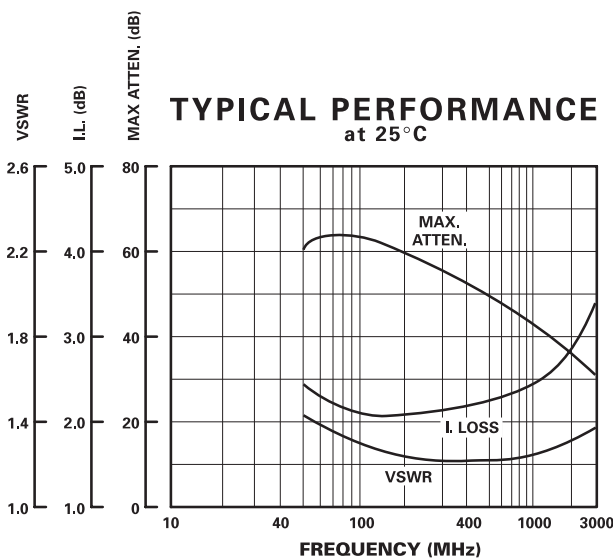
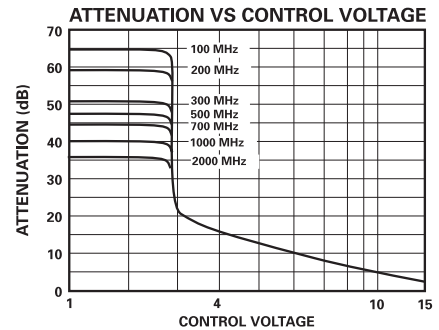
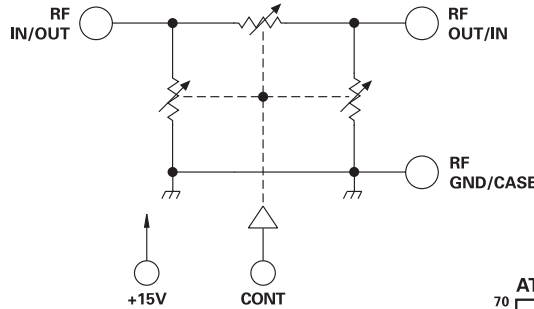
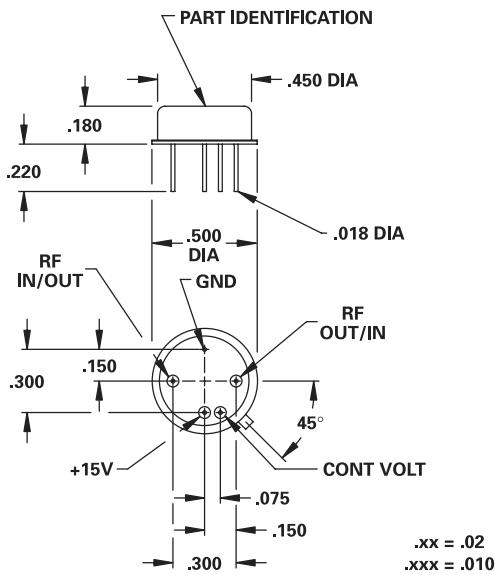
MODEL NUMBER DA0930

PIN Diode VCA

FEATURES

- 100-2000 MHz
- 48 dB Range
- TO-8 Package
- Low Cost

VCA



GUARANTEED PERFORMANCE

Parameter	Min	Typ	Max	Units	Conditions
Operating Frequency	100		2000	MHz	
DC Current					At +15 V
	Supply	4	10	mA	0 V Max. Atten., 15 V = I.L.
	Control	8	10	mA	
Control Type					0 to +15 VDC into a 2K OHM ±20% Input Impedance
Insertion Loss		2.3	3.0	dB	100 - 500 MHz
		2.4	3.25	dB	500 - 1000 MHz
		2.9	3.75	dB	1000 - 2000 MHz
Max Attenuation				dB	100 - 500 MHz
	40	48		dB	500 - 1000 MHz
	35	41		dB	1000 - 2000 MHz
	25	36		dB	1000 - 2000 MHz
Flatness				dB	100 - 1000 MHz
		±0.5	±1.0	dB	100 - 2000 MHz
		±1.0	±1.5	dB	1000 - 2000 MHz
VSWR					100 - 1000 MHz
		1.4/1	1.8/1		1000 - 2000 MHz
		1.4/1	2/1		1000 - 2000 MHz
		1.5/1	2.2/1		1000 - 2000 MHz
Impedance				OHMS	
		50			
Slew Rate				μSec	10% / 90% RF
		1	2		
		4	6		50% Cont 0% / 100% RF
Intercept Points				dB	300 MHz / 200 MHz
	2nd	+37		dB	150 MHz / 200 MHz
	3rd	+41			
RF Power				dBm	100 - 200 MHz
	Operate	+10	+6		200 - 500 MHz
		+13	+10		500 - 2000 MHz
		+20	+15		
			+23		
	No Damage				
Operating Temperature	-55	+25	+125	°C	TA