

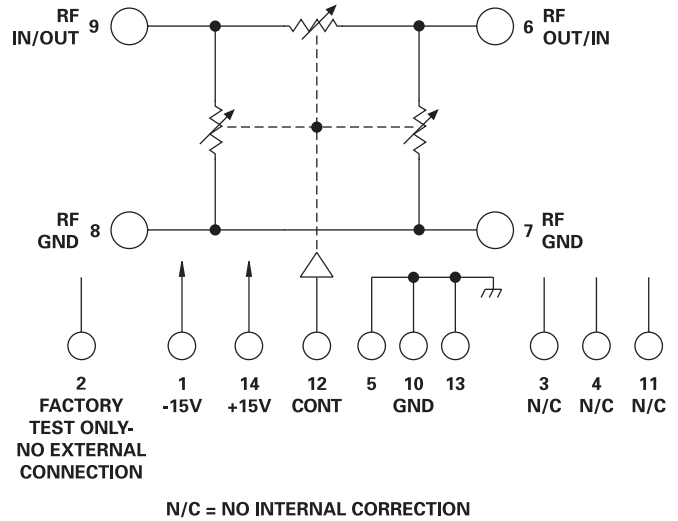
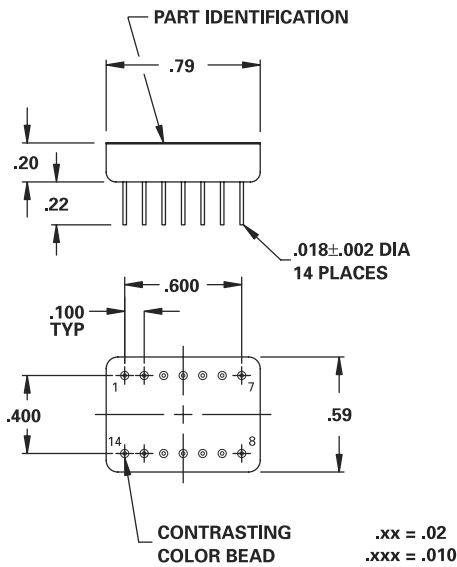
# MODEL NUMBER DA0098

# PIN Diode Linear VCA

## FEATURES

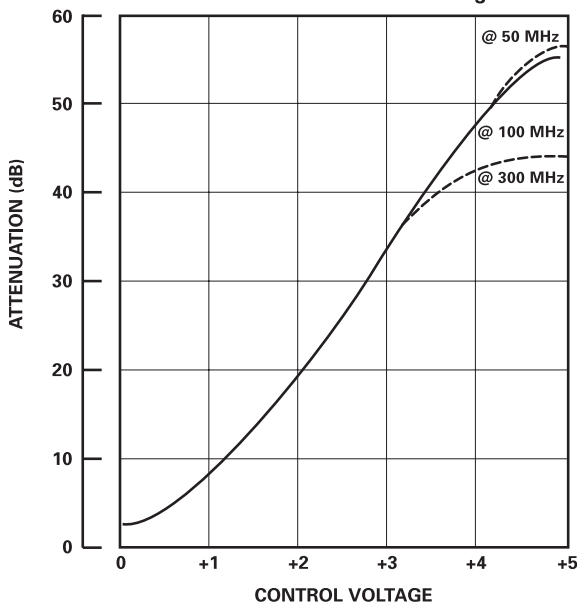
- 20-300 MHz
- 40 dB Linear Range Typical
- $\pm 2$  dB Linearity
- 2 dB Insertion Loss
- 14 Pin DIP
- See DA0998 For Flat Pack Version
- See 100C0912 For Connectorized Version

## VCA



## GUARANTEED PERFORMANCE

### TYPICAL PERFORMANCE Attenuation vs Control Voltage



Parameter	Min	Typ	Max	Units	Conditions
Operating Frequency	20		300	MHz	
DC Current		42	65	mA	At +15 VDC Supply
(10k ohm Input Impedance)		80	110	mA	At -15 VDC Supply
Control Current			0.5	mA	0 V = Insertion Loss +5 V = Max. Atten.
Insertion Loss		1.3	2.0	dB	At 0 V Control
Attenuation		40	50	dB	At 100 MHz
Range					
Slope		15 $\pm$ 3		dB/V	
Linearity		$\pm 2$		dB	Best Straight Line Fit From IL +2 dB to 40 dB
VSWR			1.4/1		
Impedance		50		OHMS	
Slew Rate		6		dB/ $\mu$ s	
RF Power			+10	dBm	
Operate			+20	dBm	
No Damage					
Operating Temperature	-55	+25	+85	$^{\circ}$ C	TA