

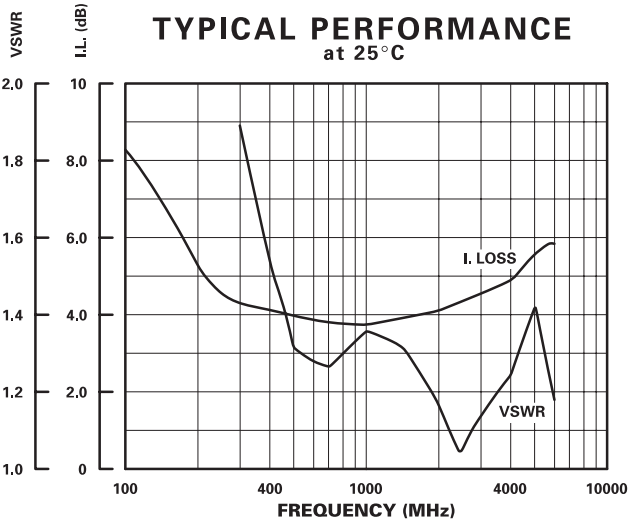
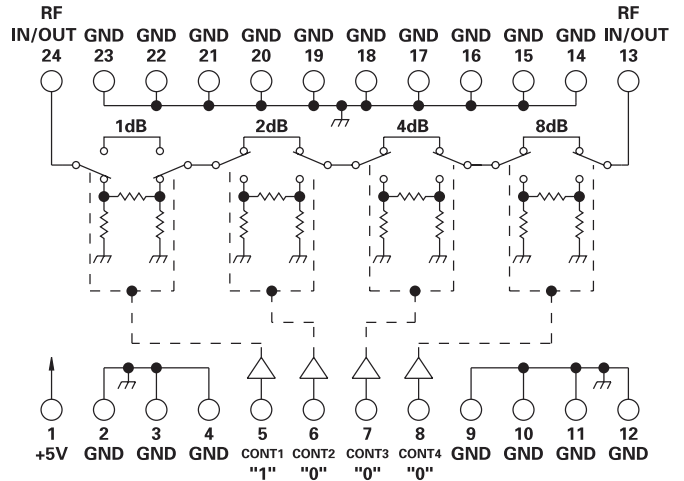
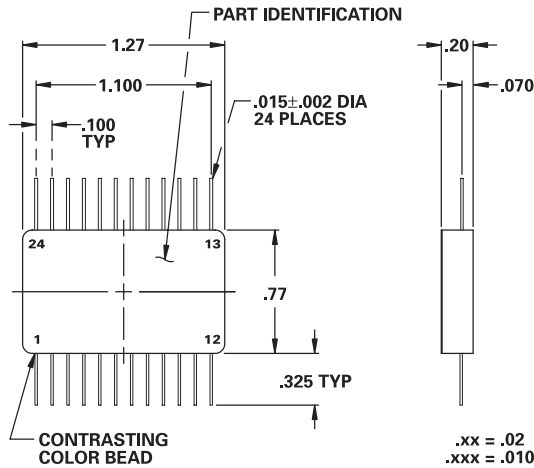
MODEL NUMBER DAT48060

Attenuator 4 Section

FEATURES

- 1800-4200 MHz
- 50 nSec Switching Speed
- CMOS Control
- 24 Pin Flatpack

4 BIT



GUARANTEED PERFORMANCE

Parameter	Min	Typ	Max	Units	Conditions
Operating Frequency	1800		4200	MHz	
DC Current		0.8	5.0	mA	At +5 VDC Supply
Control Type		CMOS			4 Line Logic "0" = Thru Logic "1" = Attenuation
Control Current		0	± 40	μ A	2.7 Volts
		0	± 40	μ A	0.5 Volts
Insertion Loss		5.0	6.0	dB	
Attenuation		1	15	dB	1, 2, 4, 8
		0		dB	$\pm (0.25 \text{ dB} + 5\% \text{ of Atten. Setting in dB})$
			± 0.2	dB	
VSWR		1.3/1	1.7/1		
Impedance		50		OHMS	
Switching Speed		27	50	nSec	50% TTL to 90% / 10% RF 90% / 10% RF
Transition (Rise/Fall) Time		12		nSec	90% / 10% or 10% / 90% RF
Switching (Video) Transients		75		mV	Peak Value
Intercept Points		+65	+70	dBm	1950 / 750 MHz Inputs
		+38	+43	dBm	975 / 750 MHz Inputs
RF Power		+22	+10	dBm	0.1 dB Compression
			+23	dBm	
Operating Temperature	0	+25	+65	$^{\circ}$ C	TA
Non-Operating Temperature	-34		+95	$^{\circ}$ C	TA