

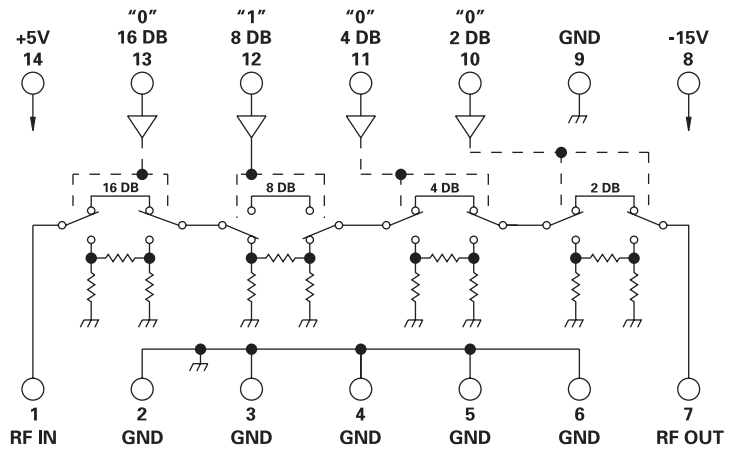
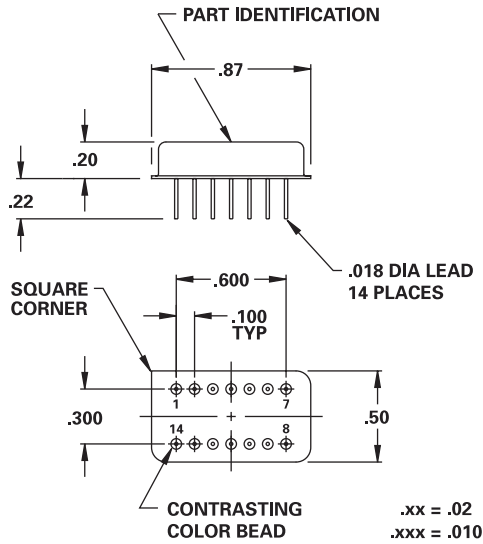
MODEL NUMBER DAT41944

GaAs 4 Section Attenuator

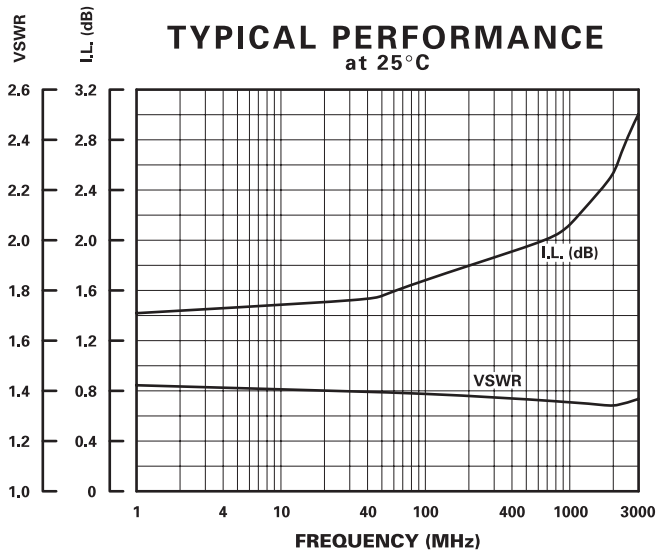
FEATURES

- DC - 2000 MHz
- 2 dB LSB, 30 dB Range
- TTL Driver
- 14 Pin DIP
- High Intercept Point

4 BIT



GUARANTEED PERFORMANCE



Parameter	Min	Typ	Max	Units	Conditions	
Operating Frequency	DC		2000	MHz		
DC Current		28	35	mA	At +5 VDC Supply	
		18	25	mA	At -15 VDC Supply	
Control Type		TTL			4 Line Logic "0" = Thru Logic "1" = Attenuation	
Control Current	High	1	±40	µA	V _{IH} = +2.7 Volts	
	Low	1	±40	µA	V _{IL} = +0.5 Volts	
Insertion Loss		2.5	3.0	dB		
Attenuation	LSB	2.0		dB		
	Range	0	30	dB	2, 4, 8, 16	
	Accuracy			dB	± (0.25 dB +2% of Atten. Setting in dB)	
VSWR		1.4/1	2/1			
Impedance		50		OHMS		
Switching Speed		33	100	nSec	50% TTL to 90% / 10% RF	
Transition (Rise/Fall) Time		20	25	nSec	10% / 90% - 90% / 10% RF	
Switching (Video) Transients		38	100	mV	Peak Value	
Intercept Points	2nd	+50	+54	dBm	Above 20 MHz	
	3rd	+30	+36	dBm	Above 20 MHz	
RF Power	Operate	+16	+10	dBm	0.1 dB Compression (>100 MHz)	
	No Damage		+20	dBm		
Operating Temperature		-55	+25	+85	°C	TA