

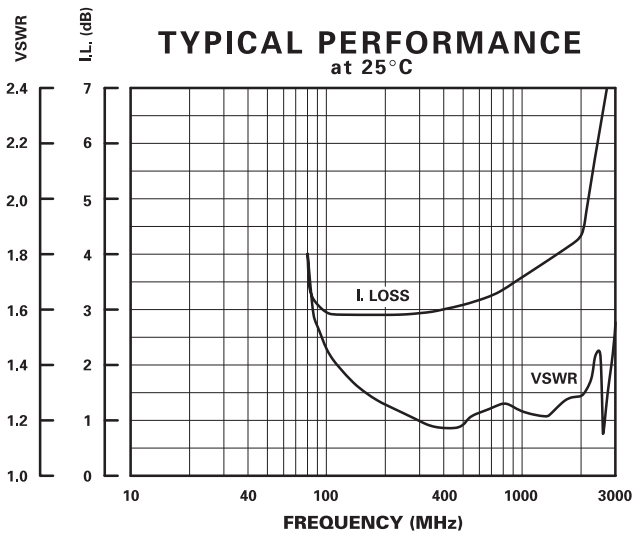
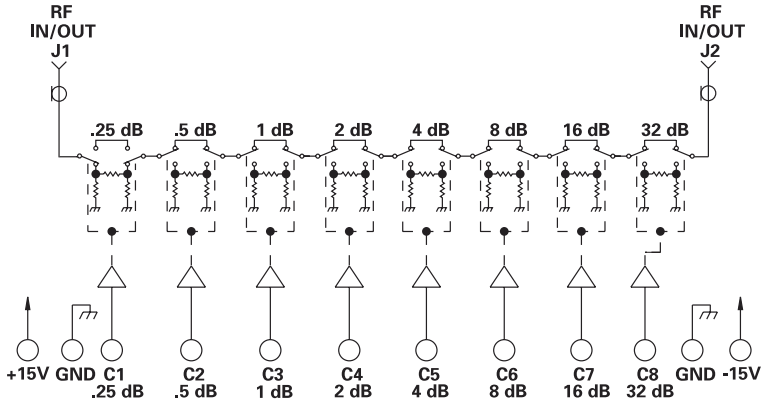
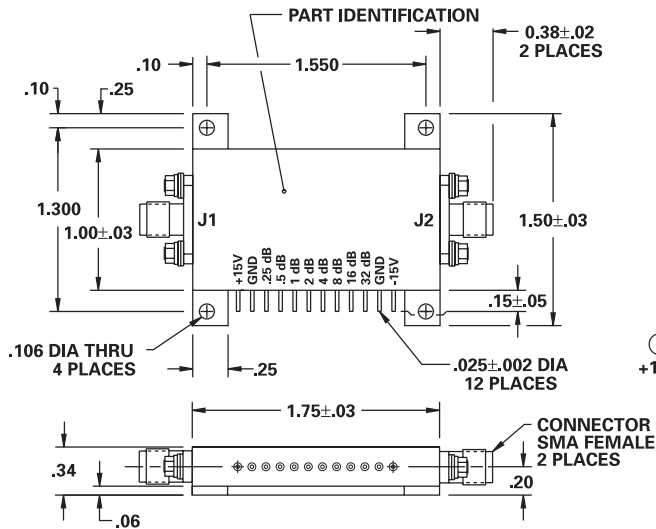
# MODEL NUMBER DAT86198

# Attenuator 8 Section

## FEATURES

- 600-800 MHz
- SMA Connectors
- Low Loss, 3.4 dB Typical
- Phase Compensated

## 8 BIT



## GUARANTEED PERFORMANCE

Parameter	Min	Typ	Max	Units	Conditions
Operating Frequency	600		800	MHz	
DC Current		12.7	20	mA	At +15 VDC Supply
		2.2	50	mA	At -15 VDC Supply
Control Type		TTL			8 Line Logic "0" = Thru Logic "1" = Attenuation
Control Current	High Low	±10 ±10	±100 ±100	µA	V <sub>IH</sub> = +2.7 V V <sub>IL</sub> = +0.5 V
Insertion Loss		3.4	4.5	dB	
Attenuation	LSB Range Accuracy @ 700 MHz	0	63.75	dB	.25, .5, 1, 2, 4, 8, 16, 32 ±2% of Attenuation Setting in dB
Attenuation Vs. Phase		±1	±5.636	DEG	@ 700 MHz
VSWR		1.26/1	1.3/1		
Impedance		50		OHMS	
Switching Speed		50	100	nSec	50% TTL to 90% / 10% RF
Transition (Rise/Fall) Time		22		nSec	10% / 90% or 90% / 10% RF
Switching (Video) Transients		45		mV	Peak Value
Intercept Points	2nd 3rd	71 50		dBm	1150 MHz / 750 MHz 575 MHz / 750 MHz
RF Power	Operate No Damage	+21	+18 +27	dBm	0.1 dB Compression
Operating Temperature		-55	+25 +125	°C	TA