

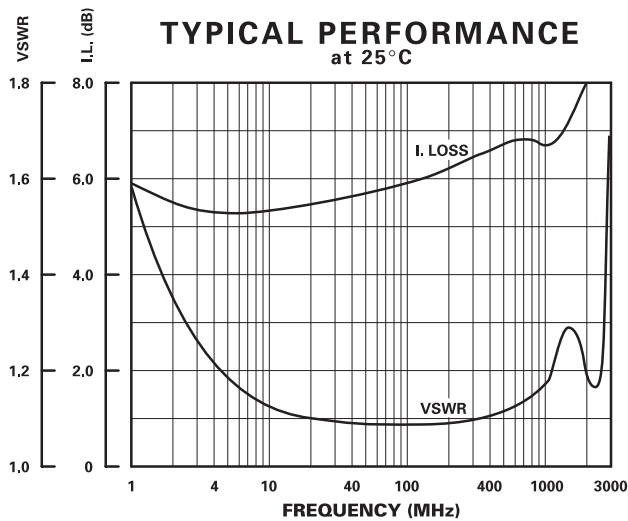
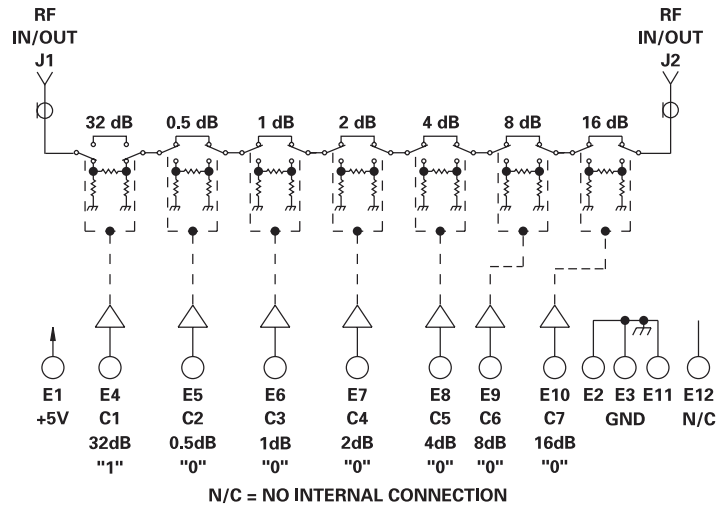
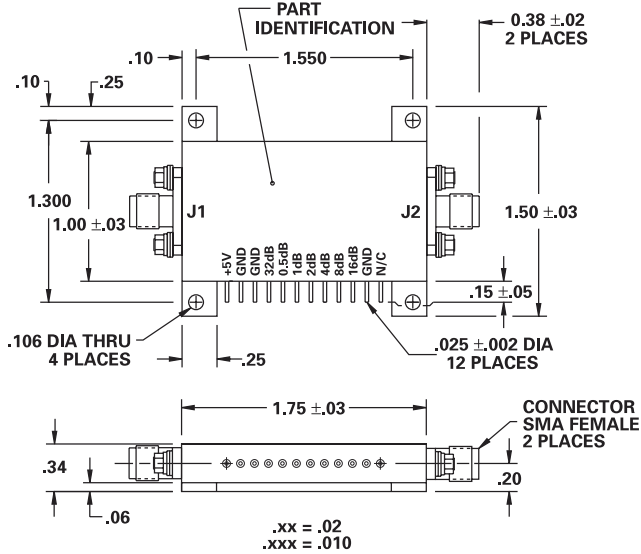
MODEL NUMBER CDA0867

GaAs 7 Section Attenuator

FEATURES

- 10 - 1000 MHz
- 3 mA, +5 VDC
- 17 nSec Transition Time
- 27 nSec Switching Speed
- 0.5 dB LSB, 63.5 dB Range
- See DA0887 for 38 Pin DIP Version
- Replaceable SMA Connectors
- 54 mV Transients
- TTL Control

7 BIT



GUARANTEED PERFORMANCE

Parameter	Min	Typ	Max	Units	Conditions
Operating Frequency	10		1000	MHz	
DC Current		3	7	mA	At +5 VDC Supply
Control Type		TTL			7 Line Logic "0" = Thru Logic "1" = Attenuation
Control Current	High Low	0	±20	µA	VIH = +2.7 V VIL = +0.5 V
Insertion Loss		6.4	8.0	dB	10 - 300 MHz
		6.8	9.0	dB	300 - 1000 MHz
Phase Change Vs. Attenuation		±3	±5	DEG	10 - 500 MHz
		±4	±8	DEG	500 - 1000 MHz (up to 15.5 dB of Atten.)
Attenuation	LSB Range Accuracy	0	0.5	dB	0.5, 1, 2, 4, 8, 16, 32
			63.5	dB	±(0.25 dB +2% of Atten. Setting in dB)
VSWR		1.18/1	1.35/1		
Impedance		50		OHMS	
Switching Speed		27	35	nSec	50% TTL to 90% / 10% RF
Transition (Rise/Fall) Time		17		nSec	90% / 10% or 10% / 90% RF
Switching (Video) Transients		54		mV	Peak Value
Intercept Points	2nd	+65		dBm	70 MHz / 50 MHz
	3rd	+38		dBm	35 MHz / 50 MHz
RF Power	Operate	+10	+8	dBm	0.1 dB Comp. 10 - 50 MHz
		+13	+10	dBm	50 - 1000 MHz
	No Damage		+24	dBm	
Operating Temperature		-55	+25	+125	°C TA