

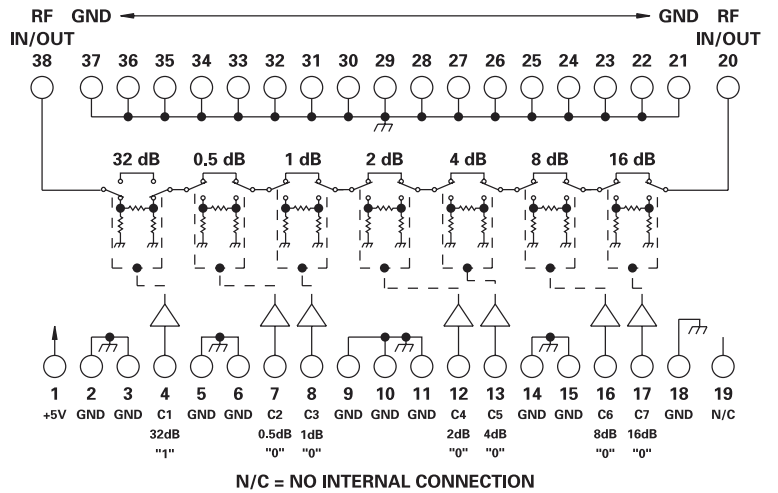
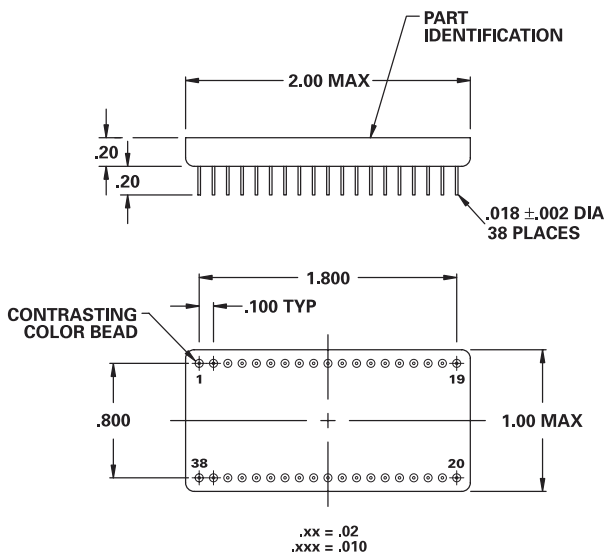
MODEL NUMBER DA0887

GaAs 7 Section Attenuator

FEATURES

- 10-1000 MHz
- 3 mA, +5 VDC
- 17 nSec Transition Time
- 27 nSec Switching Speed
- 0.5 dB LSB, 63.5 dB Range
- 54 mV Transients
- TTL Control
- 38 Pin DIP

7 BIT



GUARANTEED PERFORMANCE

| Parameter | Min | Typ | Max | Units | Conditions |
|------------------------------|--------------------|--------|--------|-------|--|
| Operating Frequency | 10 | | 1000 | MHz | |
| DC Current | | 3 | 7 | mA | At +5 VDC Supply |
| Control Type | | TTL | | | 7 Line Logic "0" = Thru Logic "1" = Attenuation |
| Control Current | High | 0 | ±20 | µA | V _{IH} = +2.7 V |
| | Low | 0 | ±20 | µA | V _{IL} = +0.5 V |
| Insertion Loss | | 6.4 | 8.0 | dB | 10 - 300 MHz |
| | | 6.8 | 9.0 | dB | 300 - 1000 MHz |
| Phase Change Vs. Attenuation | | ±3 | ±5 | DEG | 10 - 500 MHz |
| | | ±4 | ±8 | DEG | 500 - 1000 MHz (up to 15.5 dB of Atten.) |
| Attenuation | LSB Range Accuracy | 0 | 0.5 | dB | 0.5, 1, 2, 4, 8, 16, 32 ±(0.25 dB +2% of Atten. Setting in dB) |
| | | | 63.5 | dB | |
| VSWR | | 1.18/1 | 1.35/1 | | |
| Impedance | | 50 | | OHMS | |
| Switching Speed | | 27 | 35 | nSec | 50% TTL to 90% / 10% RF |
| Transition (Rise/Fall) Time | | 17 | | nSec | 90% / 10% or 10% / 90% RF |
| Switching (Video) Transients | | | 54 | mV | |
| Intercept Points | 2nd | +65 | | dBm | 70 MHz / 50 MHz |
| | 3rd | +38 | | dBm | 35 MHz / 50 MHz |
| RF Power | Operate | +10 | +8 | dBm | 0.1 dB Comp. 10 - 50 MHz |
| | | +13 | +10 | dBm | 50 - 1000 MHz |
| | No Damage | | +24 | dBm | |
| Operating Temperature | | -55 | +25 | +125 | °C TA |

