

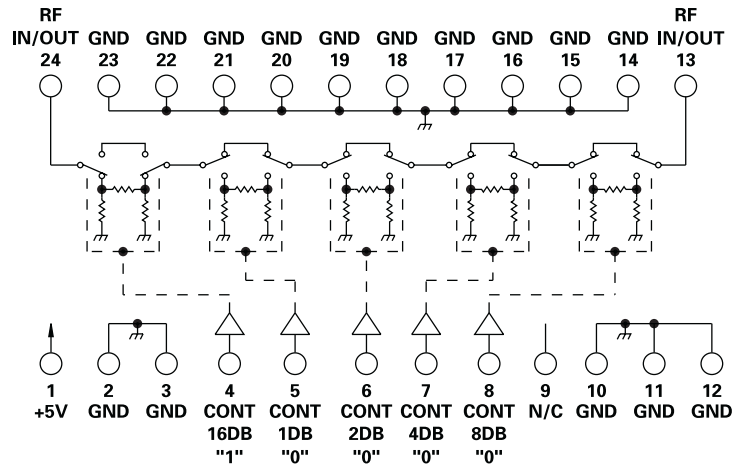
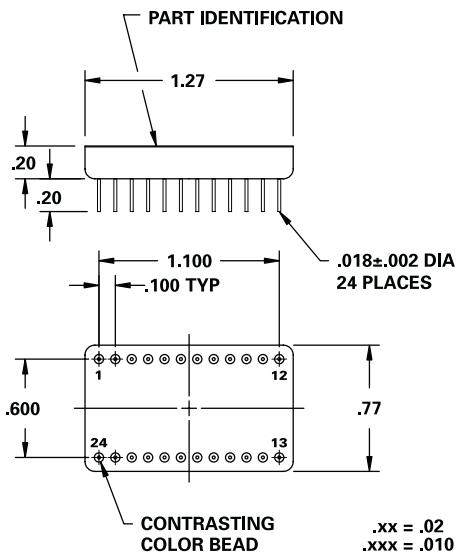
MODEL NUMBER DA0885

GaAs 5 Section Attenuator

FEATURES

- 10 - 1000 MHz
- 1 mA, +5 VDC
- 1 dB LSB, 31 dB Range
- 38 nSec Switching Speed
- 12 nSec Transition Time
- TTL Control
- 24 Pin DIP

5 BIT



GUARANTEED PERFORMANCE

Parameter	Min	Typ	Max	Units	Conditions
Operating Frequency	10		1000	MHz	
DC Current		1	5	mA	At +5 VDC Supply
Control Type		TTL			5 Line Logic "0" = Thru Logic "1" = Attenuation
Control Current	High	0	±40	µA	V _{IH} = +3.0 V
	Low	0	±40	µA	V _{IL} = +0.5 V
Insertion Loss		3.9	5.0	dB	10 - 100 MHz
		5.1	6.5	dB	100 - 1000 MHz
Attenuation	LSB	0	1	dB	
	Range		31	dB	1, 2, 4, 8, 16
	Accuracy			dB	± (0.25 dB ± 2% of Atten. Setting in dB)
	Vs. Phase	0.6	±5	DEG	At 240 MHz
VSWR		1.2/1	1.4/1		
Impedance		50		OHMS	
Switching Speed		38	50	nSec	50% TTL to 90% / 10% RF
Transition (Rise/Fall) Time		12		nSec	90% / 10% or 10% / 90% RF
Switching (Video) Transients		130		mV	Peak Value
Intercept Points	2nd	+65		dBm	70 MHz / 50 MHz
	3rd	+44		dBm	35 MHz / 50 MHz
RF Power	Operate	+13	+10	dBm	0.1 dB Compression
	No Damage		+27	dBm	
Operating Temperature	-55	+25	+125	°C	TA

