

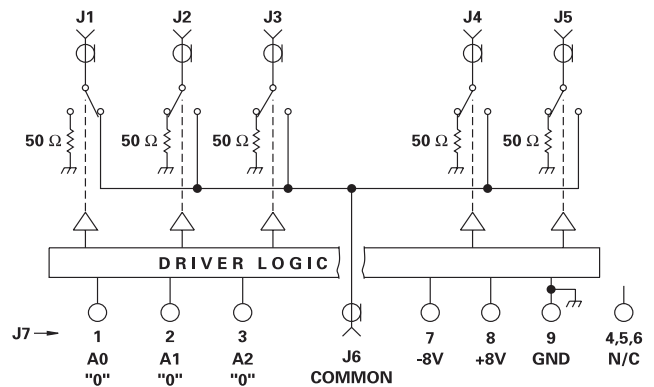
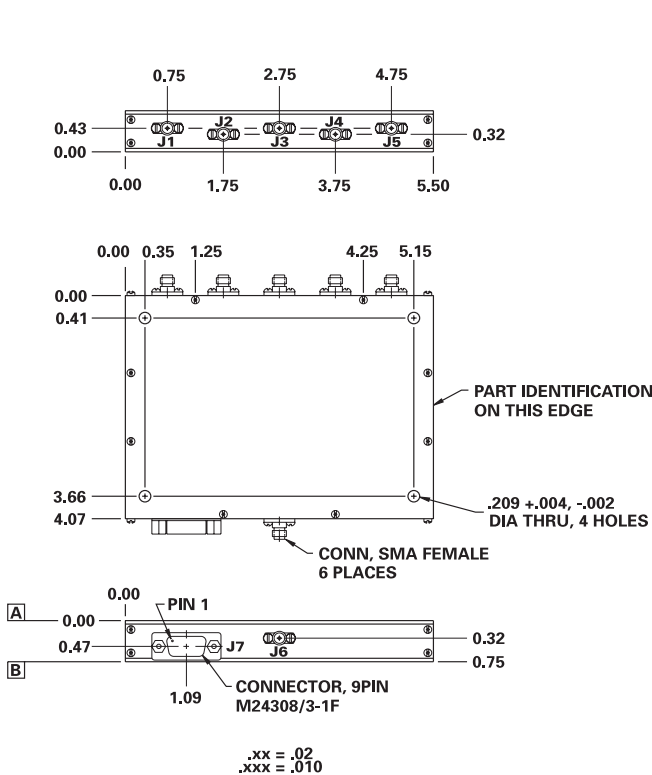
MODEL NUMBER CSW M9096

Switch SP5T

FEATURES

- 1.5-30 MHz
- +116 dBm 2nd Isolation Point
- +60 dBm 3rd Isolation Point
- Amp/Phase Match
- 3 Watts

SP5T



TRUTH TABLE							
CONTROL			RF COMMON (J6) TO...				
A2	A1	A0	J1	J2	J3	J4	J5
0	0	0	ON	OFF	OFF	OFF	OFF
0	0	1	OFF	ON	OFF	OFF	OFF
0	1	0	OFF	OFF	ON	OFF	OFF
0	1	1	OFF	OFF	OFF	ON	OFF
1	0	0	OFF	OFF	OFF	OFF	ON
1	0	1	OFF	OFF	OFF	OFF	OFF
1	1	0	OFF	OFF	OFF	OFF	OFF
1	1	1	OFF	OFF	OFF	OFF	OFF

GUARANTEED PERFORMANCE

Parameter	Min	Typ	Max	Units	Conditions
Operating Frequency	1.5		30	MHz	
DC Current		31	50	mA	At +8 VDC Supply
		3	10	mA	At -8 VDC Supply
Control Type		TTL			5 Line See Table
Control Current	High	±1	±20	µA	V _{IH} = +2.7 V
	Low	±1	±20	µA	V _{IL} = +0.5 V
Insertion Loss		0.76	1.1	dB	
Phase Match Port to Port		±0.5	±2	deg	
Amplitude Matching Port to Port		±0.05	±0.5	dB	
Isolation		45	52	dB	
VSWR	Thru	1.1/1	1.25/1		
	Termination	1.1/1	1.5/1		
Impedance		50		OHMS	
Switching Speed		0.13	500	µSec	50% TTL to 90% / 10% RF
Transition (Rise/Fall) Time		40		nSec	10% / 90% or 90% / 10% RF
Switching (Video) Transients		10	100	mV	Peak Value
Intercept Points	2nd	+107	+116	dBm	
	3rd	+58	+60	dBm	
RF Power	Operate		+36	dBm	1 dB Compression
	No Damage		+30	W	Thru or Common Port
Operating Temperature	0	+25	+40	°C	TA

