

FEATURES

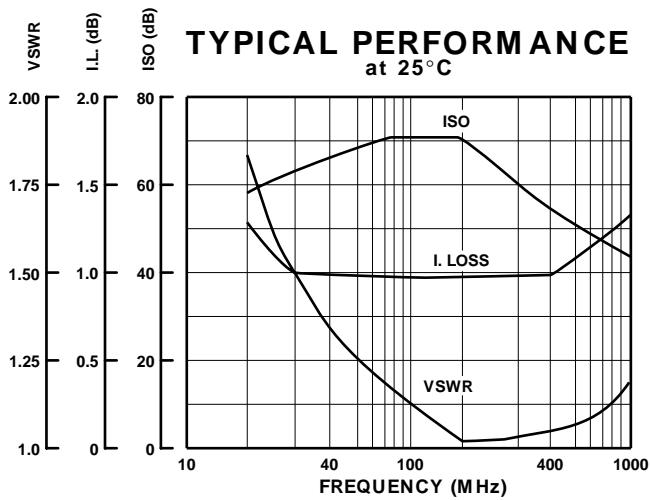
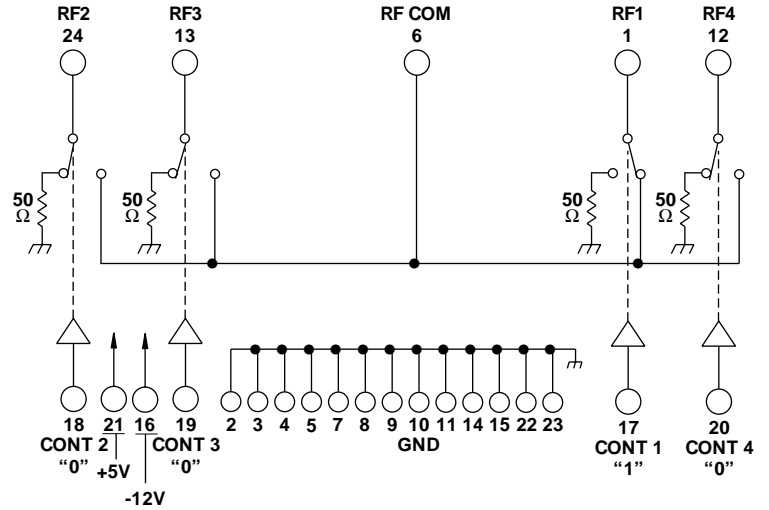
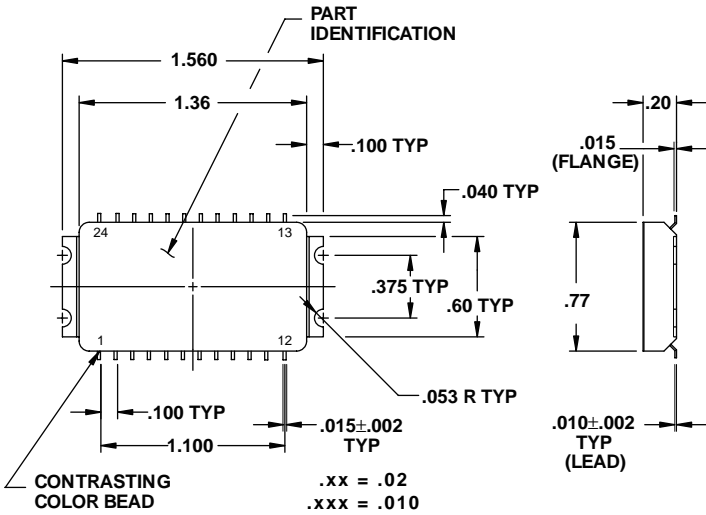
- 50 - 500 MHz
- Non-Reflective
- TTL Driver
- Surface Mount Package



**MODEL NO.
DS0778**

PIN Diode SP4T

SP4T



GUARANTEED PERFORMANCE

Parameter	Min	Typ	Max	Units	Conditions
Operating Frequency	50		500	MHz	
DC Current		7	15	mA	At +5 VDC Supply
		6	15	mA	At -12 VDC Supply
Control Type		TTL			4 Line Logic "0" = Off Logic "1" = On
Control Current	High	0	±20	µA	V _{IH} = +2.7V
	Low	0	±20	µA	V _{IL} = +0.5V
Insertion Loss		1.0	1.25	dB	50 - 300 MHz
		1.1	1.4	dB	300 - 500 MHz
	Amplitude Tracking	0.06	0.50	dB	Between Ports 200 - 300 MHz
Isolation	55	62		dB	50 - 300 MHz
	45	52		dB	300 - 500 MHz
VSWR		1.1/1	1.5/1		
Impedance		50		OHMS	
Switching Speed		0.5	1.0	µSEC	50% TTL to 90% / 10% RF
Transition (Rise/Fall) Time		115		nSEC	90% / 10% or 10% / 90% RF
Switching (Video) Transients		490		mV	Peak Value
Intercept Points	2nd	+61		dBm	125 MHz / 150 MHz
	3rd	+36		dBm	62.5 MHz / 59 MHz
RF Power	Operate	+20	+10	dBm	0.1 dB Compression
	No Damage		+23	dBm	
Operating Temperature	-55	+25	+125	°C	TA