

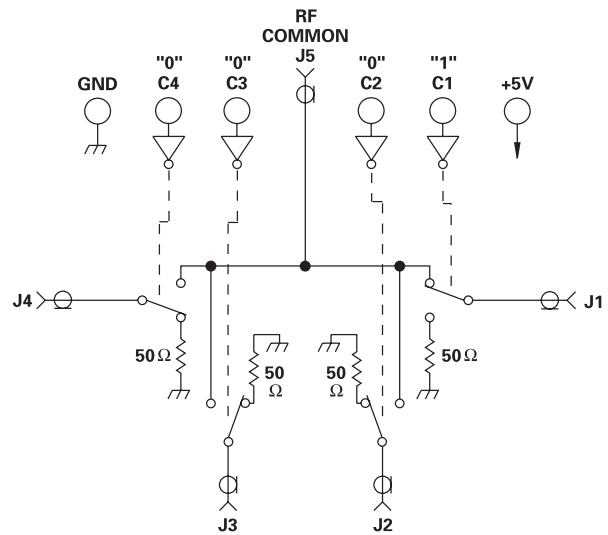
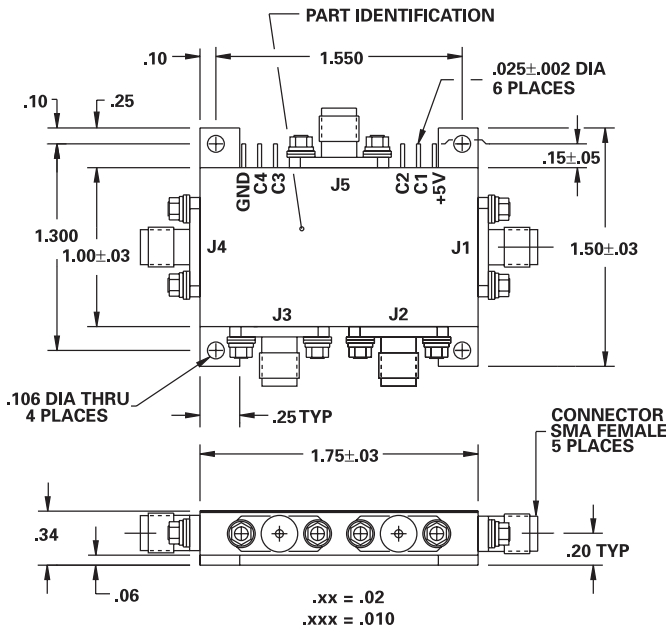
MODEL NUMBER CDS0624

PIN Diode SP4T

FEATURES

- 20-2000 MHz
- 60 dB Isolation
- TTL Driver
- Non-Reflective
- Replaceable SMA Connectors

SP4T



GUARANTEED PERFORMANCE

Parameter	Min	Typ	Max	Units	Conditions
Operating Frequency	20		2000	MHz	
DC Current		17.5	24	mA	At +5 VDC Supply
Control Type		TTL			4 Line Logic "0" = Off Logic "1" = On
Control Current		0	±10	μA	V _{IH} = +2.7V V _{IL} = +0.4V
Insertion Loss		0.9	1.5	dB	20 - 1000 MHz
		1.4	2.0	dB	1000 - 2000 MHz
Isolation		60	72	dB	20 - 1000 MHz
		50	59	dB	1000 - 2000 MHz
VSWR	Thru	1.13/1	1.3/1		
	Termination	1.06/1	1.3/1		
Impedance		50		OHMS	
Switching Speed		1.52	3	μSEC	50% TTL to 90% / 10% RF
Transition (Rise/Fall) Time		0.32		μSEC	90% / 10% or 10% / 90% RF
Switching (Video) Transients		0.33		V	Peak Value
Intercept Points	2nd	+79		dBm	50 MHz / 70 MHz
	3rd	+39		dBm	50 MHz / 35 MHz
RF Power	Operate	+12	+9	dBm	20 - 100 MHz
	No Damage	+21	+15	dBm	100 - 2000 MHz
			+27	dBm	
Operating Temperature	-55	+25	+125	°C	TA

