

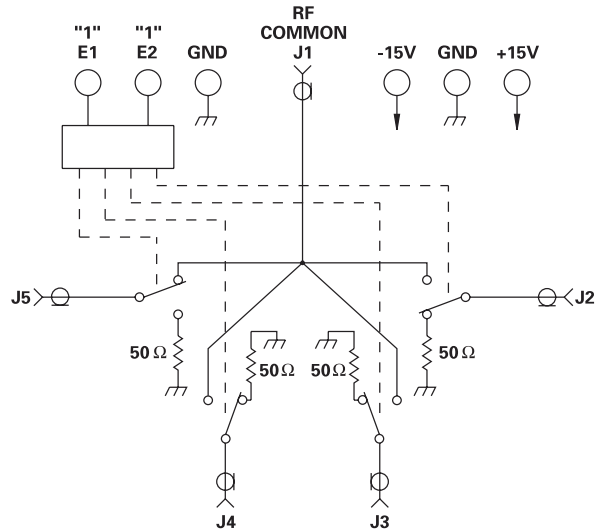
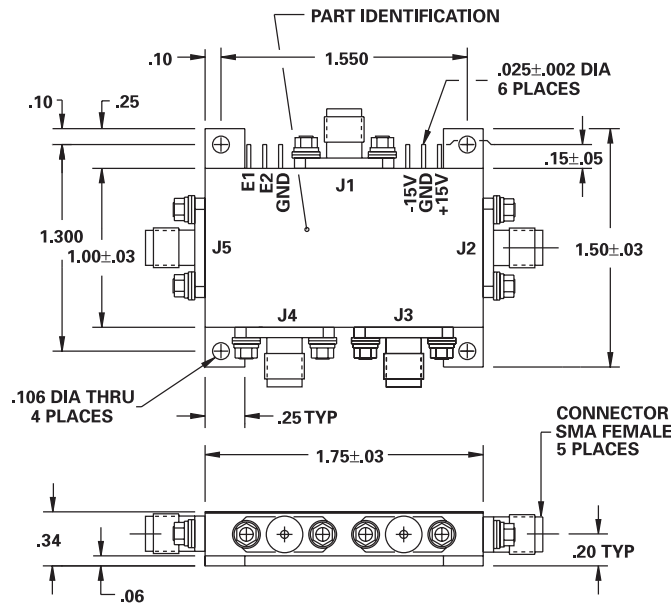
# MODEL NUMBER DSW 46190

GaAs SP4T

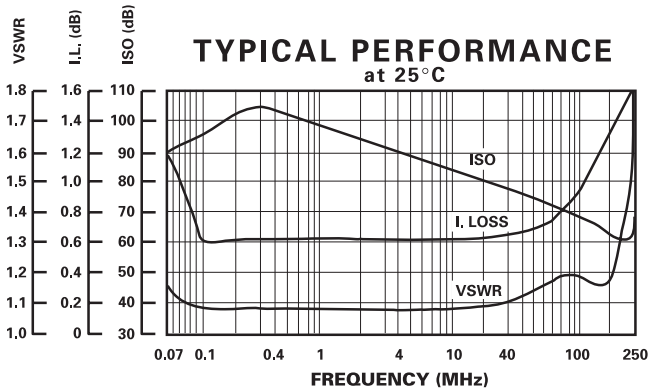
## FEATURES

- 0.1- 150 MHz
- High Speed
- High Intercept Points
- SMA Connectors

## SP4T



## GUARANTEED PERFORMANCE



LOGIC TABLE			
E2	E1	RF PATH	
0	0	J1-J2	
0	1	J1-J3	
1	0	J1-J4	
1	1	J1-J5	

Parameter	Min	Typ	Max	Units	Conditions
Operating Frequency	0.1		150	MHz	
DC Current		13.2	20	mA	At +15 VDC Supply
		11.1	20	mA	At -15 VDC Supply
Control Type		TTL			See Logic Chart
Control Current	High	±1.0	±100	µA	V <sub>IH</sub> = +2.7V
	Low	±1.0	±100	µA	V <sub>IL</sub> = +0.5V
Isolation	60	65		dB	
Insertion Loss		1.2	1.4	dB	
Insertion Loss Variation Port To Port		0.06	0.1	dB	Between J2 and any other Port
Phase Difference Port to Port		4	10	deg	Between Port J2 and any other Port
VSWR	Thru Termination	1.17/1	1.5/1		
Impedance		50		OHMS	
Switching Speed		186	500	nSEC	50% TTL to 90% / 10% RF
Transition (Rise/Fall) Time		116		nSEC	10% / 90% or 90% / 10% RF
Switching (Video) Transients		18		mV	In 3 KHz BW at 1 KHz PRF
Intercept Points	2nd	+81	+92	dBm	MHz ( Two Tone Outputs
	3rd	+36	+54	dBm	At +10 dBm)
RF Power	Operate	+10.6	+18	dBm	( 0.1 dB Compression )
	No Damage	+21.6	+30	dBm	( 1.0 dB Compression )
Operating Temperature	-40	+25	+85	°C	TA



DAICO Industries

310.507.3242 • FAX 310.507.5701 • www.daico.com