

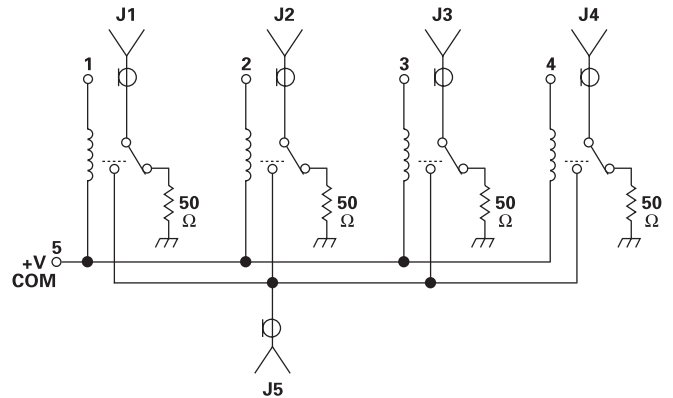
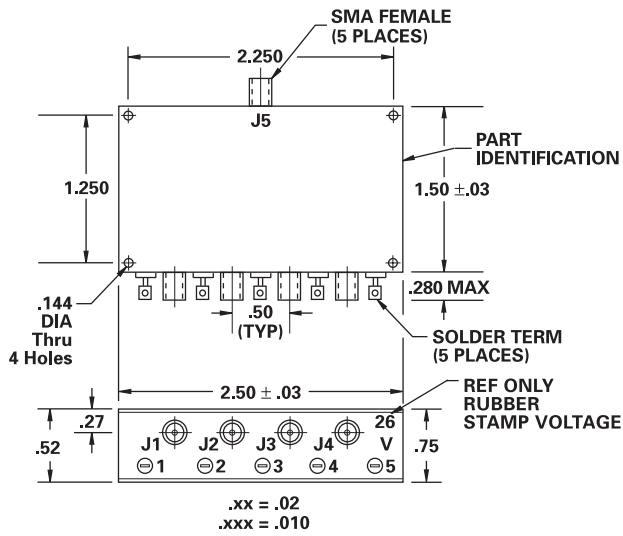
MODEL NUMBER 100C0485

SP4T Relay

FEATURES

- DC-500 MHz
- 70 dB Isolation
- Non-Reflective
- 50 Watt CW
- SMA Connectors

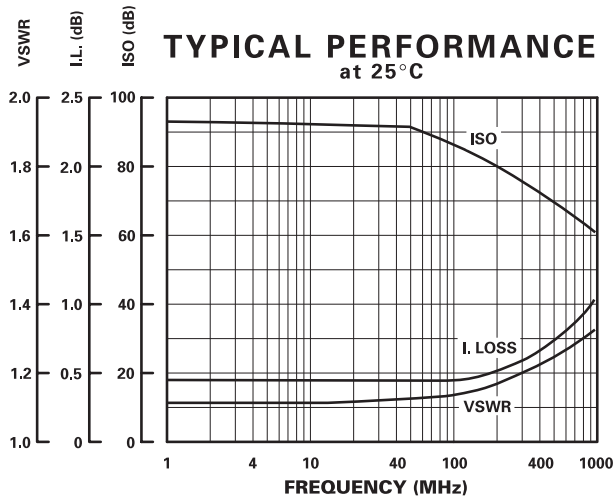
SP4T



GUARANTEED PERFORMANCE

Parameter	Min	Typ	Max	Units	Conditions
Operating Frequency	DC		500	MHz	
DC Voltage					See Table
Insertion Loss		0.7	1.0	dB	
Isolation	70	74		dB	
VSWR	Thru	1.35/1	1.6/1		
Impedance		50		OHMS	
Switching Speed			3	mSEC	
RF Power	Operate		50	W	CW
Operating Temperature	-20	+25	+55	°C	TA

CONTROL VOLTAGE TABLE	
Voltage	Current - Typical
6	130 mA per throw
12	64 mA per throw
18	42 mA per throw
26	34 mA per throw



PART NO. EXAMPLE - SEE TABLE
100C0485 - 6
Basic Part Number Dash No. per table