

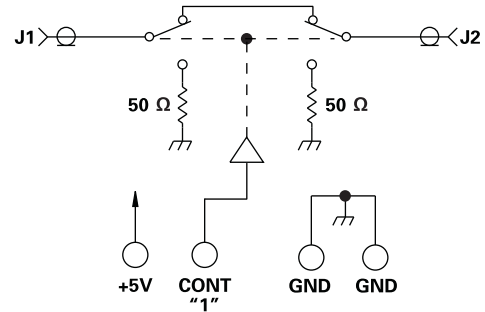
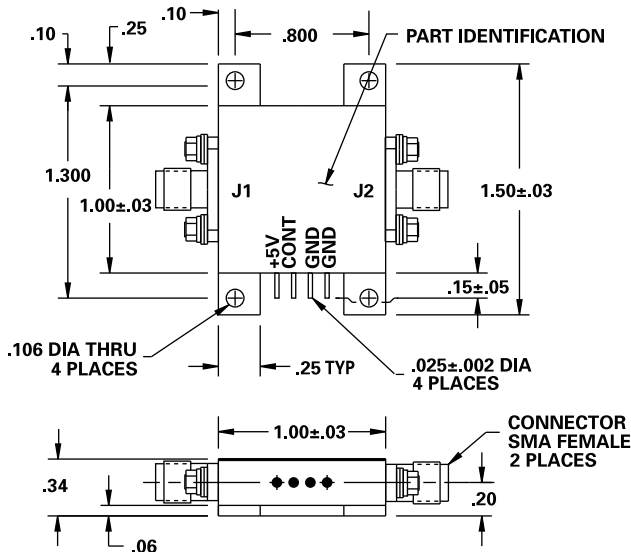
# MODEL NUMBER CDS0671

GaAs SPST

## FEATURES

- 10-2000 MHz
- 8 nSec Transition Time
- 20 nSec Switching Speed
- 2 mA, +5 VDC
- TTL Driver
- Non-Reflective
- Replaceable SMA Connectors

## SPST



## GUARANTEED PERFORMANCE

| Parameter                    | Min       | Typ   | Max   | Units | Conditions                 |
|------------------------------|-----------|-------|-------|-------|----------------------------|
| Operating Frequency          | 10        |       | 2000  | MHz   |                            |
| DC Current                   |           | 2     | 7     | mA    | At +5 VDC Supply           |
| Control Type                 |           | TTL   |       |       | 1 Line<br>Logic "1" = Thru |
| Control Current              | High      | 4     | ±20   | µA    | V <sub>IH</sub> = +2.7V    |
|                              | Low       | 1     | ±20   | µA    | V <sub>IL</sub> = +0.5V    |
| Insertion Loss               |           | 1.8   | 2.5   | dB    |                            |
| Isolation                    | 70        | 79    |       | dB    | 10 - 1000 MHz              |
|                              | 55        | 64    |       | dB    | 1000 - 1500 MHz            |
|                              | 40        | 52    |       | dB    | 1500 - 2000 MHz            |
| VSWR                         |           | 1.2/1 | 1.3/1 |       |                            |
| Impedance                    |           | 50    |       | OHMS  |                            |
| Switching Speed              |           | 20    | 30    | nSEC  | 50% TTL to 90% / 10% RF    |
| Transition (Rise/Fall) Time  |           | 8     | 15    | nSEC  | 10% / 90% or 90% / 10% RF  |
| Switching (Video) Transients |           | 31    | 50    | mV    | Peak Value                 |
| Intercept Points             | 2nd       | +62   | +72   | dBm   | 70 MHz / 50 MHz            |
|                              | 3rd       | +37   | +47   | dBm   | 35 MHz / 50 MHz            |
| RF Power                     | Operate   | +12   | +10   | dBm   | .1 dB Compression          |
|                              | No Damage |       | +30   | dBm   |                            |
| Operating Temperature        | -55       | +25   | +125  | °C    | TA                         |

