

# FEATURES

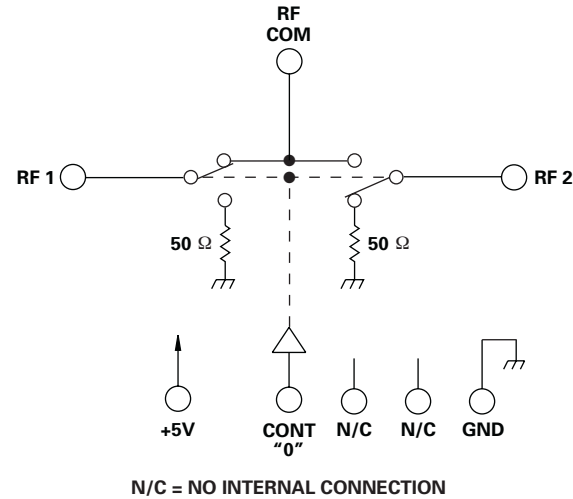
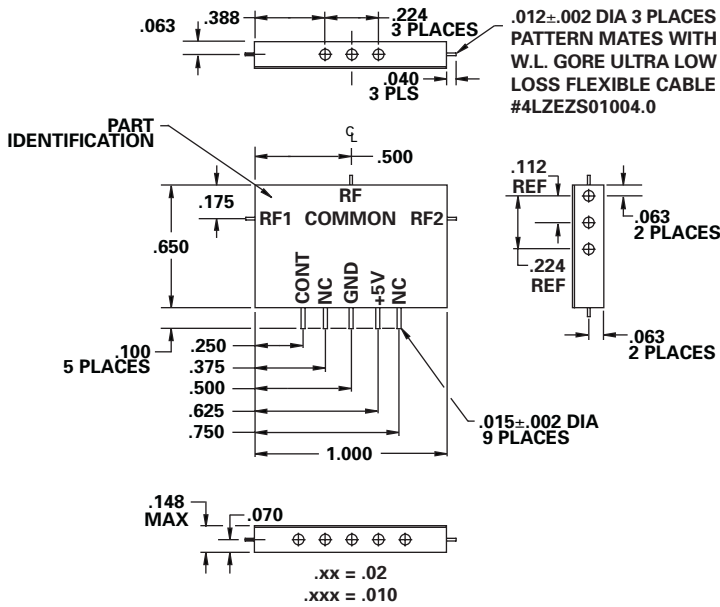
- 3 - 5 GHz
- 1.8 dB Insertion Loss
- 124 dB Isolation
- 24 nSec Switching Speed
- Non-Reflective
- TTL Driver
- SMA Connectors

SP2T



**MODEL NO.  
DS0919**

**GaAs PIN Diode SP2T**



## GUARANTEED PERFORMANCE

Parameter	Min	Typ	Max	Units	Conditions
Operating Frequency	3.0		5.0	GHz	
DC Current		70	100	mA	At +5 VDC Supply
Control Type		TTL			1 Line Logic "0" = RF COM to RF1 Logic "1" = RF COM to RF2
Control Current		0	±40	μA	V <sub>IH</sub> = +2.7V V <sub>IL</sub> = +0.5V
Insertion Loss		1.8	3.0	dB	
Isolation	120	124		dB	
VSWR		1.5/1	2.0/1		
		1.6/1	2.0/1		
Impedance		50		OHMS	
Switching Speed		24	35	nSEC	50% TTL to 90% / 10% RF
Transition (Rise/Fall) Time		2		nSEC	90% / 10% or 10% / 90% RF
Switching (Video) Transients		2.5		mV	Peak Value
RF Power		+10	+7	dBm	0.1 dB Compression
			+13	dBm	No Damage
Operating Temperature	-55	+25	+125	°C	TA

