

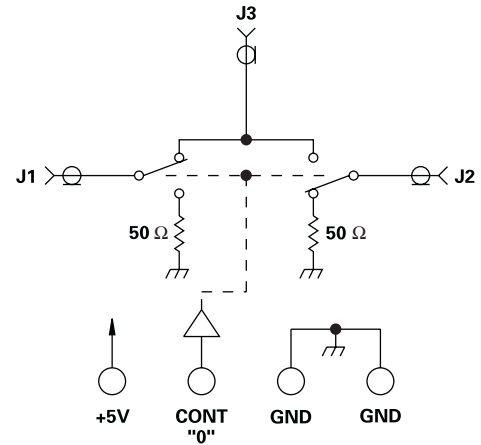
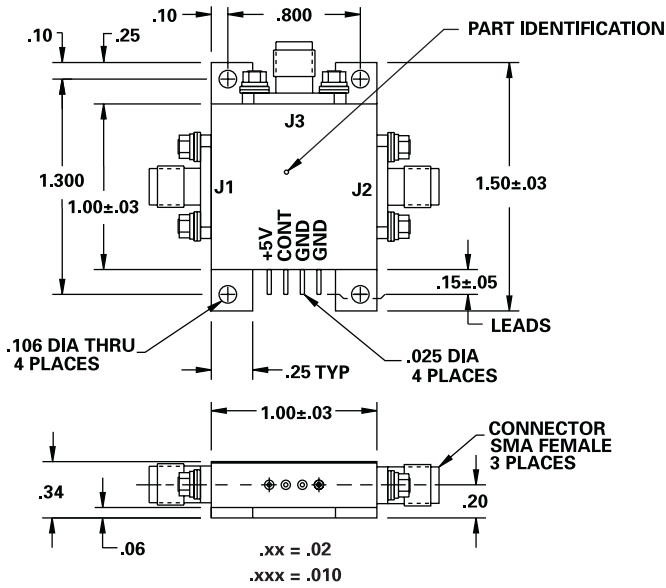
**MODEL NUMBER  
CDS0622**

**PIN Diode SP2T**

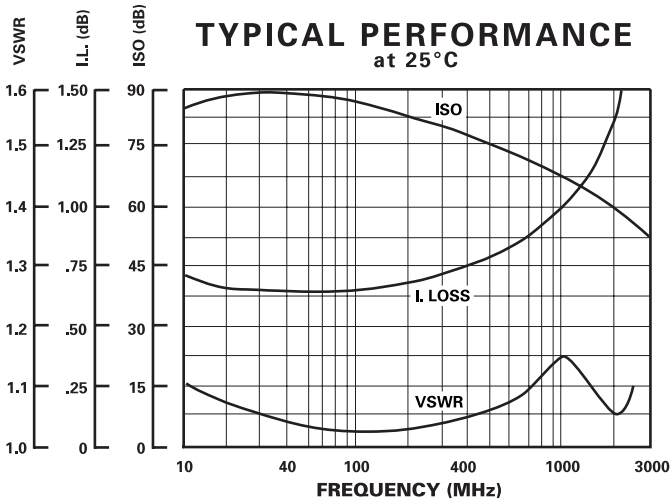
**FEATURES**

- 20-2000 MHz
- 70 dB Isolation up to 1 GHz
- TTL Driver
- Non-Reflective
- Replaceable SMA Connectors

**SP2T**



**GUARANTEED PERFORMANCE**



Parameter	Min	Typ	Max	Units	Conditions
Operating Frequency	20		2000	MHz	
DC Current		8.5	12	mA	At +5 VDC Supply
Control Type		TTL			1 Line Logic "0" = J3 - J1 Logic "1" = J3 - J2
Control Current	High Low	0 0	±10 ±10	µA	VIH = +2.7V VIL = +0.5V
Insertion Loss		.74 .90 1.30	1.0 1.25 2.0	dB	20 - 100 MHz 100 - 1000 MHz 1000 - 2000 MHz
Isolation		75 60 50	85 75 60	dB	20 - 100 MHz 100 - 1000 MHz 1000 - 2000 MHz
VSWR	Thru Termination	1.15/1 1.15/1	1.3/1 1.5/1		
Impedance		50		OHMS	
Switching Speed		1.5	3	µSEC	50% TTL to 90% / 10% RF
Transition (Rise/Fall) Time		0.3		µSEC	90% / 10% or 10% / 90% RF
Switching (Video) Transients		700		mV	Peak Value
Intercept Points	2nd 3rd	+69 +37		dBm	50 MHz / 70 MHz 50 MHz / 35 MHz
RF Power	Operate No Damage	+14 +21	+10 +17	dBm	20 - 100 MHz 100 - 2000 MHz
Operating Temperature		-55	+25 +125	°C	TA