



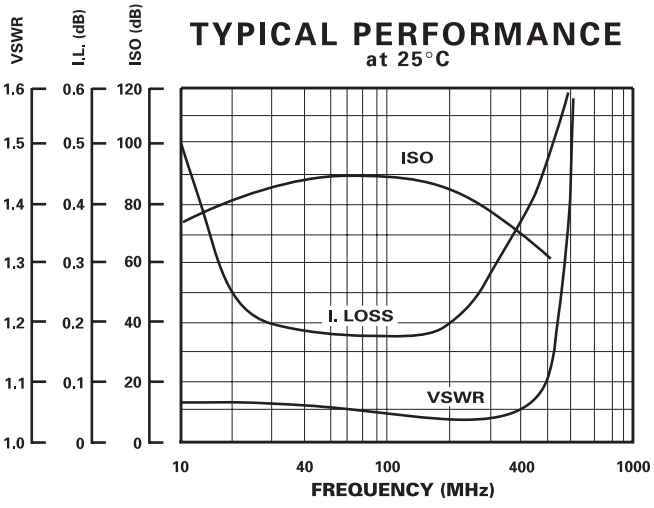
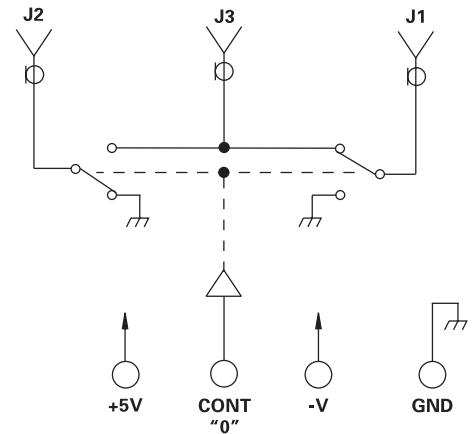
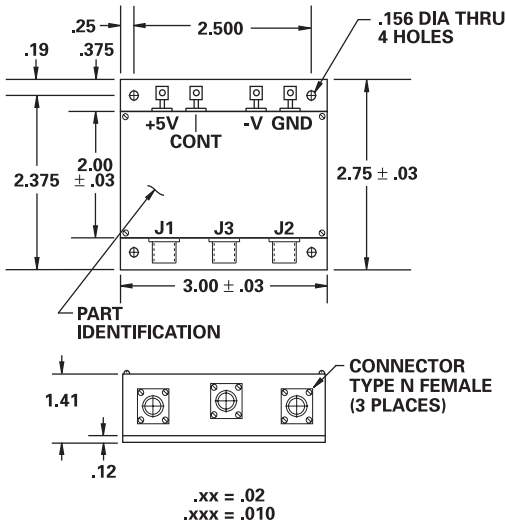
**MODEL NUMBER  
100C1592**

**Medium Power PIN Diode SP2T**

**FEATURES**

- 20-500 MHz
- 0.4 dB Insertion Loss
- 20 Watts CW
- TTL Driver
- SMA Connectors

**SP2T**



**GUARANTEED PERFORMANCE**

Parameter	Min	Typ	Max	Units	Conditions
Operating Frequency	20		500	MHz	
DC Current		220 20	300 40	mA	At +5 VDC Supply At -15 to -30 VDC Supply
Control Type		TTL			1 Line Logic "0" = J3 - J1 Logic "1" = J3 - J2
Control Current	High Low		1.2 -5.0	mA	V <sub>IH</sub> = +2.7V V <sub>IL</sub> = +0.5V
Insertion Loss		0.3 0.5	0.5 0.75	dB	20 - 300 MHz 300 - 500 MHz
Isolation		65 55	75 62	dB	20 - 300 MHz 300 - 500 MHz
VSWR	Thru	1.06/1 1.1/1	1.2/1 1.25/1		20 - 300 MHz 300 - 500 MHz
Impedance		50		OHMS	
Switching Speed			10	μSEC	50% TTL to 90% / 10% RF
RF Power	Operate	20		W	CW
Operating Temperature	-55	+25	+85	°C	TA