

SP2T

## FEATURES

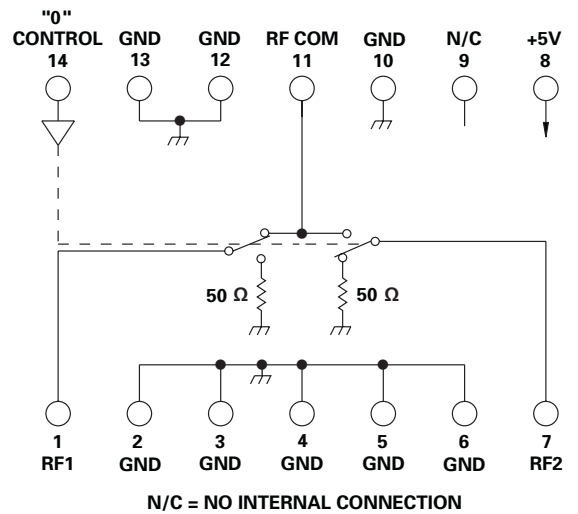
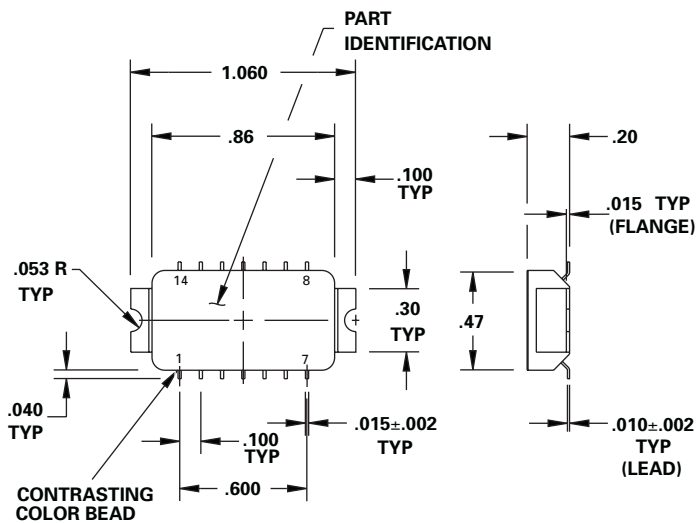
- 5 - 1000 MHz
- 75 dB Isolation
- High Intercept Points
- 0.7 mA, +5 VDC
- TTL Driver
- Non-Reflective
- 14 Pin Surface Mount Package
- See DS0842 For 14 Pin DIP Version



# MODEL NO.

# DS0742

## GaAs SP2T



## GUARANTEED PERFORMANCE

Parameter	Min	Typ	Max	Units	Conditions
Operating Frequency	5		1000	MHz	
DC Current		0.7	1.0	mA	At +5 VDC Supply
Control Type		TTL			1 Line Logic "0" = PIN 11 to PIN 1 Logic "1" = PIN 11 to PIN 7
Control Current		High Low	+3.5 +0.8	±10 ±10 μA	V <sub>IH</sub> = +3.0V V <sub>IL</sub> = +0.5V
Insertion Loss			1.1 1.6	1.7 2.2 dB	5 - 300 MHz 300 - 1000 MHz
Isolation	60 50	75 58			5 - 300 MHz 300 - 1000 MHz
VSWR		1.2/1	1.4/1		
Impedance		50		OHMS	
Switching Speed		45	70	nSEC	50% TTL to 90% / 10% RF
Transition (Rise/Fall) Time		40		nSEC	90% / 10% or 10% / 90% RF
Switching (Video) Transients		50		mV	Peak Value
Intercept Points	2nd 3rd	+78 +54		dBm	500 MHz / 300 MHz 250 MHz / 300 MHz
RF Power	Operate No Damage	+14	+10 +30	dBm	0.1 dB Compression
Operating Temperature	-55	+25	+125	°C	TA

