

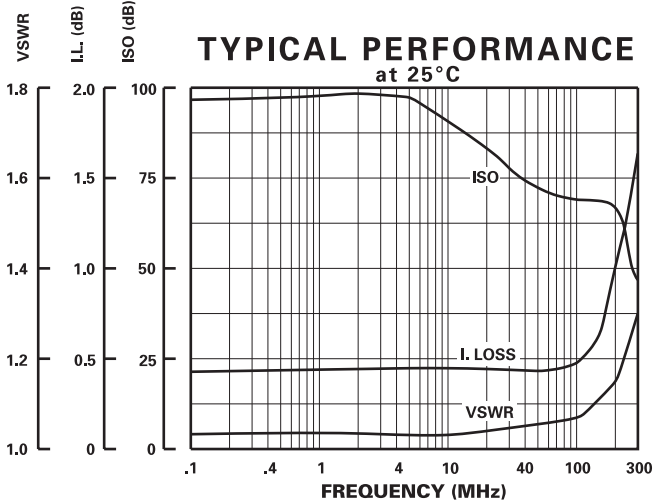
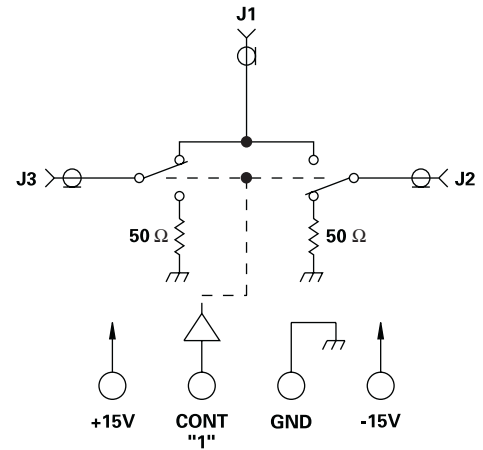
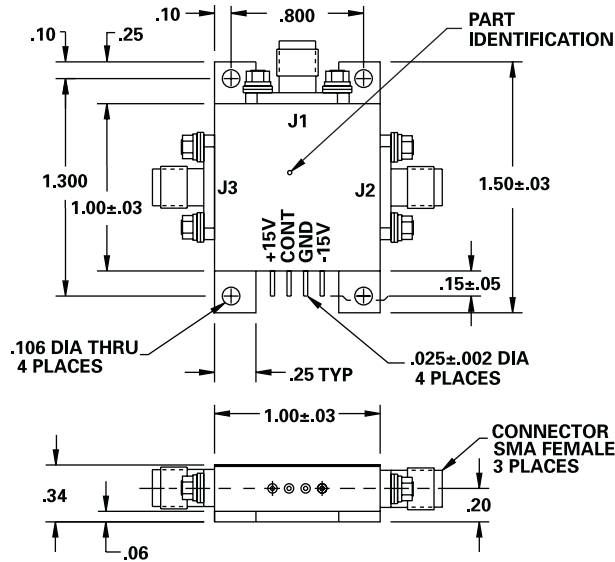
**MODEL NUMBER
DSW26189**

GaAs SP2T

FEATURES

- 0.1 - 150 MHz
- High Intercept Points
- 2.5 mA, +15 VDC
- 60 dB Isolation

SP2T



LOGIC TABLE	
"0"	J1 To J2
"1"	J1 To J3

GUARANTEED PERFORMANCE

Parameter	Min	Typ	Max	Units	Conditions
Operating Frequency	0.1		150	MHz	
DC Current		2.5	10	mA	At +15 VDC Supply
		1.5	10	mA	At -15 VDC Supply
Control Type		TTL			See Logic Chart
Control Current		High	±100	µA	VIH = +2.7V
		Low	1.0	±100	VIL = +0.5V
Insertion Loss		0.6	1.0	dB	
Isolation		60	64	dB	
VSWR		Thru	1.10/1	1.5/1	
		Termination	1.08/1	1.5/1	
Impedance			50	OHMS	
Switching Speed			0.15	5	µSEC
Transition (Rise/Fall) Time			0.02		µSEC
Switching (Video) Transients			+81		dBm
Intercept Points			+81		dBm
		2nd	+36		dBm
		3rd	+56		dBm
RF Power			+22		dBm
		Operate	+18		dBm
		No Damage	+30		dBm
Operating Temperature	-55	+25	+125	°C	TA