

## FEATURES

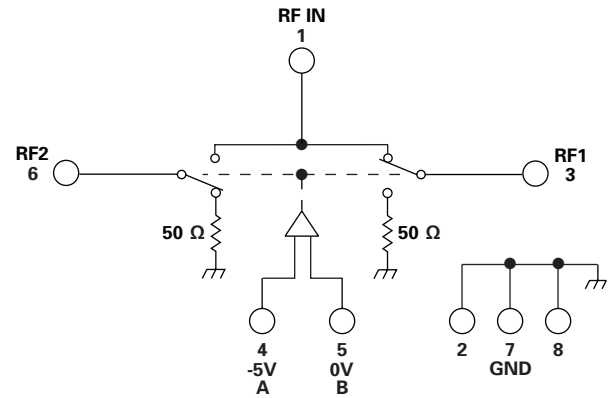
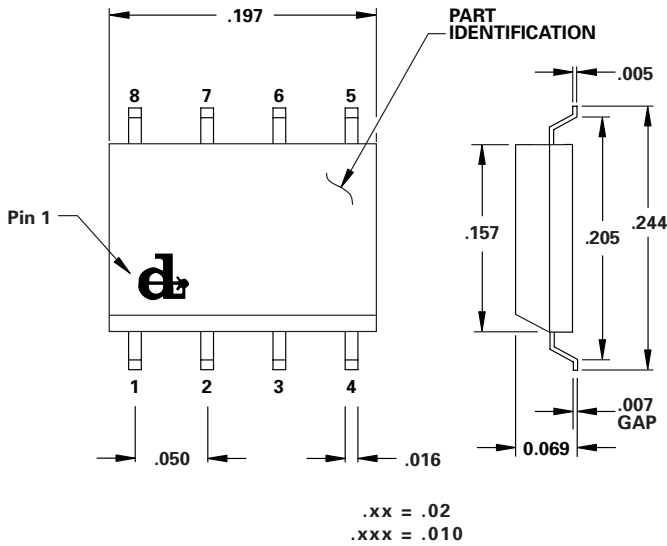
- DC - 2000 MHz
- Non-Reflective
- 0.7 dB I.L., 19 dB Iso.
- 8 Pin Surface Mount Package
- Very Low Cost



**MODEL NO.  
DS0702-T**

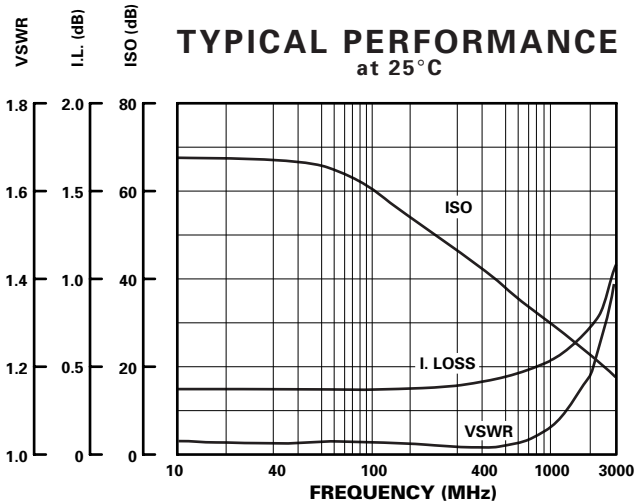
**GaAs SP2T**

**SP2T**



Switching Table		
A	B	Function
0V	-5V	RF IN - RF2
-5V	0V	RF IN - RF1

## GUARANTEED PERFORMANCE



Parameter	Min	Typ	Max	Units	Conditions
Operating Frequency	DC		2000	MHz	
Control Voltage					See Table
Insertion Loss		0.6	1.0	dB	DC - 1000 MHz
		0.7	1.2	dB	1000 - 2000 MHz
Isolation	25	30		dB	DC - 1000 MHz
	16	19		dB	1000 - 2000 MHz
VSWR	Input	1.2/1	1.3/1		
	Termination	1.2/1	1.5/1		
Impedance		50		OHMS	
Transition (Rise/Fall) Time			3	nSEC	
Intercept Points		46		dBm	
RF Power		Operate	+27	+23	dBm
Operating Temperature	-55	+25	+85	°C	TA

Note: A/C Couple Capacitors may be required for your Application