

## FEATURES

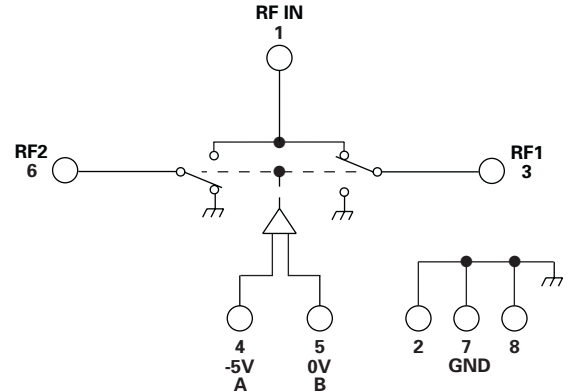
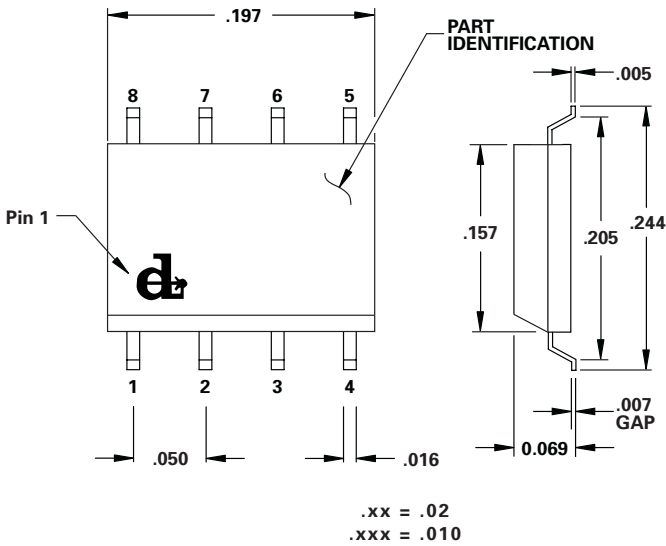
- DC - 2000 MHz
- Reflective
- 0.6 dB I.L., 25 dB Iso.
- 8 Pin Surface Mount Package
- Very Low Cost



**MODEL NO.  
DS0702-R**

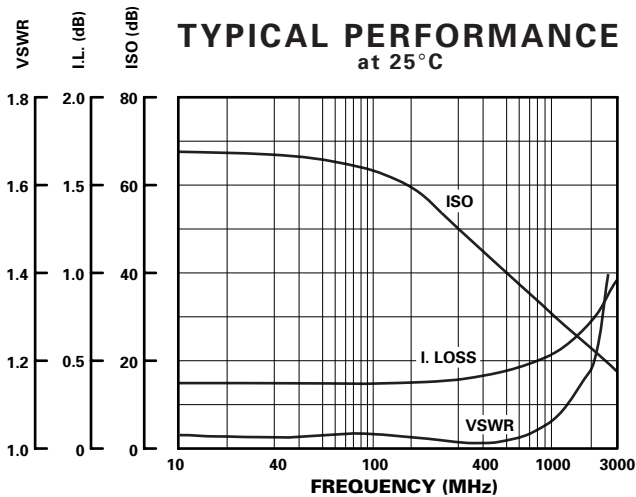
**GaAs SP2T**

SP2T



Switching Table		
A	B	Function
0V	-5V	RF IN-RF2
-5V	0V	RF IN-RF1

## GUARANTEED PERFORMANCE



Parameter	Min	Typ	Max	Units	Conditions
Operating Frequency	DC		2000	MHz	
Control Voltage					See Table
Insertion Loss		0.5	0.8	dB	DC - 1000 MHz
		0.6	0.9	dB	1000 - 2000 MHz
Isolation	30	35		dB	DC - 1000 MHz
	21	25		dB	1000 - 2000 MHz
VSWR		1.1/1	1.2/1		Input
Impedance		50		OHMS	
Transition (Rise/Fall) Time			3	nSEC	
Intercept Points		46		dBm	3rd
RF Power		+27	+23	dBm	Operate
Operating Temperature	-55	+25	+85	°C	TA

Note: A/C Couple Capacitors may be required for your Application