

FEATURES

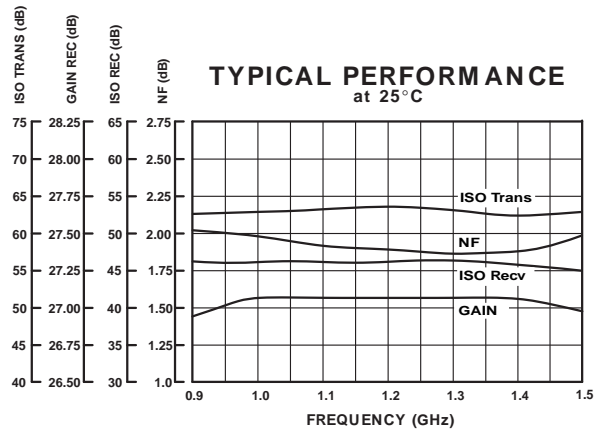
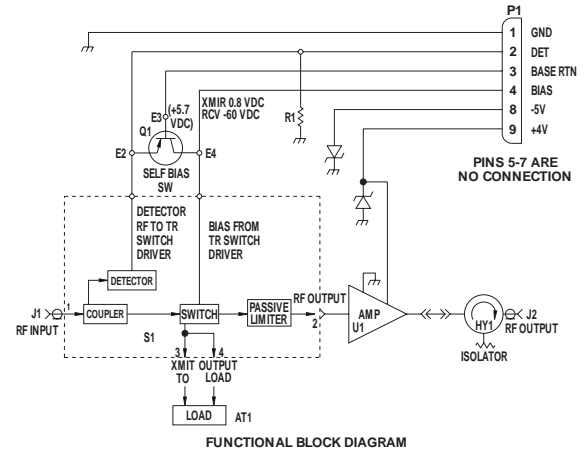
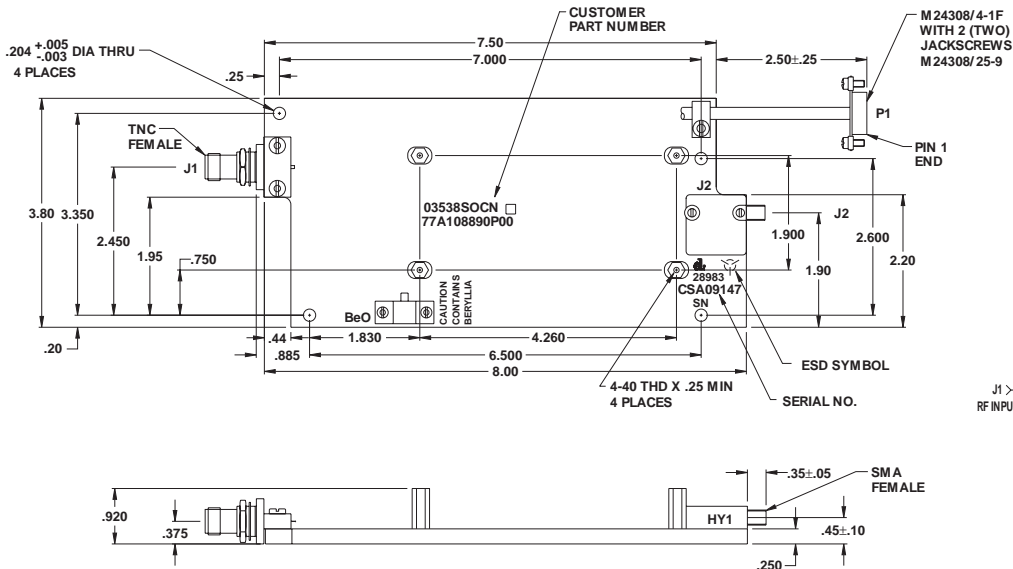
- 1215 - 1400 MHz
- Transmit / Receive / LNA Assembly
- 28 dB Gain
- Low Noise Figure 2.0 dB



**MODEL NO.
CSA09247**

Combination T/R - Switch / LNA

MFA



GUARANTEED PERFORMANCE

Parameter	Min	Typ	Max	Units	Conditions
Operating Frequency	1.2		1.4	GHz	
Small Signal Gain	26.8		27.5	dB	
Noise Figure			2.2	dB	Receive State
VSWR In			1.4:1		Receive State
VSWR Out			1.22:1		
Reverse Isolation	40			dB	Receive State
Time Delay	5.9		6.5	nsec	Receive State
Intercept Points		40	28	dBm	
		27		dBm	
RF Power		+20	+66	dBm	1% Duty Cycle Short Pulse
DC Current			200	mA	At +4 Vdc
			10	µA	At -60 Vdc
VSWR In			1.3:1		Transmit State
Isolation	J1-J2	50		dB	Transmit State
Isolation	J1-J2	30		dB	LNA +4V On
VSWR Trip Self Protection		170	270	Watts	
Operating Temperature	-54	+25	+71	°C	Transmit State