

**FEATURES**

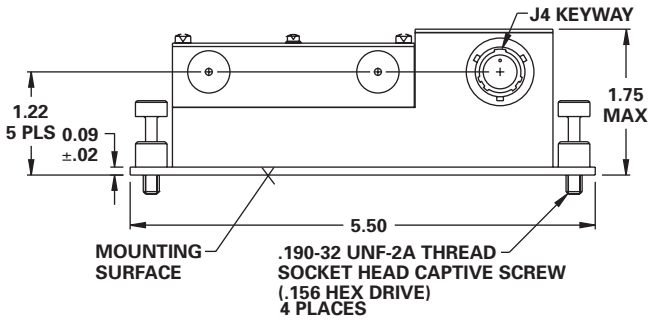
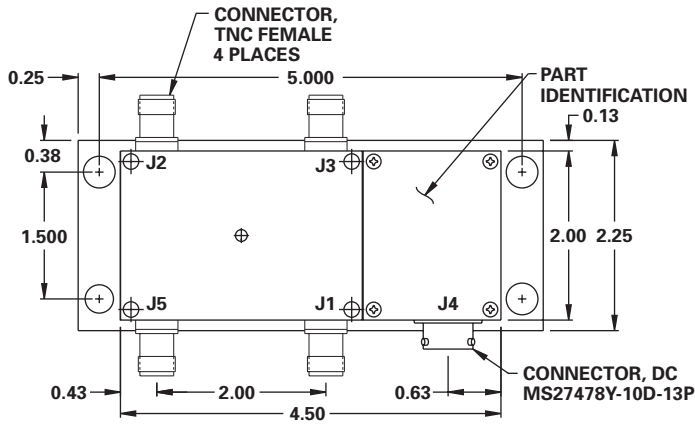
- 420 - 450 MHz
- 100 Watt AM
- 125 Watt FM



**MODEL NO.  
CSWX9290**

**High Power Antenna  
Selector**

MFD



| CONN | FUNCTION |
|------|----------|
| J1   | UPPER    |
| J2   | LOWER    |
| J3   | COM 2    |
| J5   | COM 1    |

| PIN | FUNCTION              |
|-----|-----------------------|
| 1   | PRIMARY POWER RETURN  |
| 2   | SPARE                 |
| 3   | PRIMARY POWER (+28V)  |
| 4   | SPARE                 |
| 5   | UPPER/LOWER INDICATOR |
| 6   | COM 2 TRANSMIT KEY    |
| 7   | MODE SELECT           |
| 8   | COM 1 TRANSMIT KEY    |
| 9   | SPARE                 |
| 10  | COM 2 SQUELCH OUTPUT  |
| 11  | COM 1 SQUELCH OUTPUT  |
| 12  | SPARE                 |
| 13  | SPARE                 |

**GUARANTEED PERFORMANCE**

| Parameter             | Min     | Typ    | Max    | Units | Conditions                        |
|-----------------------|---------|--------|--------|-------|-----------------------------------|
| Operating Frequency   | 420     |        | 450    | MHz   |                                   |
| DC Current            |         | 310    | 350    | mA    |                                   |
| Insertion Loss        |         | 0.25   | 0.6    | dB    |                                   |
| Isolation             |         | 50     | 55     | dB    | Between each Combiner Input Ports |
| VSWR                  |         | 1.13/1 | 1.25/1 |       | 30 - 400                          |
|                       |         | 1.13/1 | 1.35/1 |       | 400 - 500                         |
| Impedance             |         | 50     |        | OHMS  |                                   |
| Switching Speed       |         | 2      | 30     | mSec  | 50% TTL to 90% / 10% RF           |
| RF Power              | Operate | 100    |        | W     | AM                                |
|                       |         | 125    |        | W     | FM                                |
| Operating Temperature |         |        |        | °C    | TA                                |