

**FEATURES**

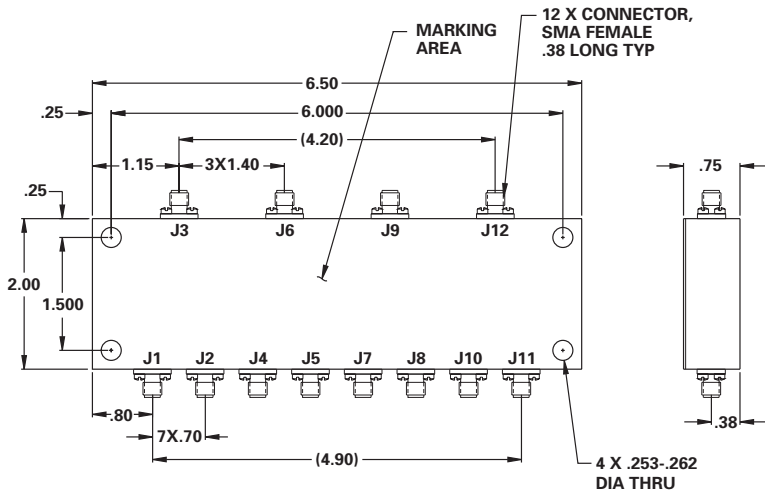
- 420 - 450 MHz
- 0.1dB Insertion Loss
- 100 dB Isolation
- SMA Connectors



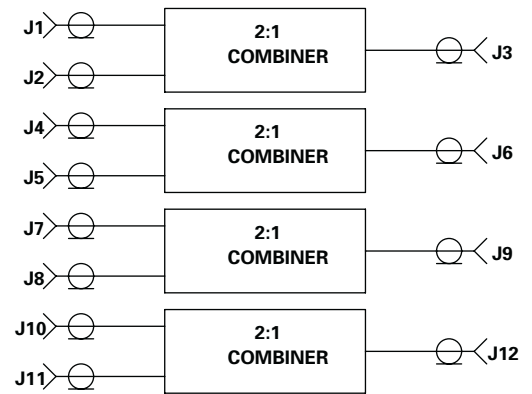
**MODEL NO.  
100C9102**

**Combiner**

MFD



.xx = .02  
.xxx = .010



**GUARANTEED PERFORMANCE**

Parameter	Min	Typ	Max	Units	Conditions
Operating Frequency	420		450	MHz	
Insertion Loss		0.11	0.25	dB	Excluding 3 dB
Isolation	80 20	110 30		dB dB	Between Each Combiner Input Ports
VSWR		1.13/1	1.2/1		
Impedance		50		OHMS	
Operating Temperature	+15		+50	°C	TA