

FEATURES

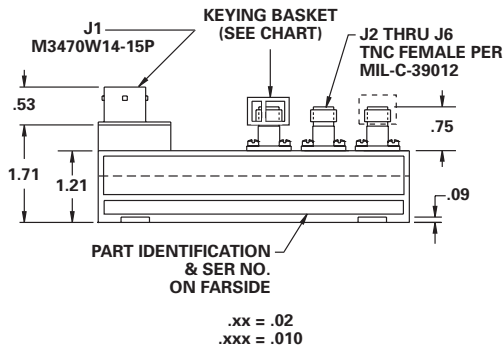
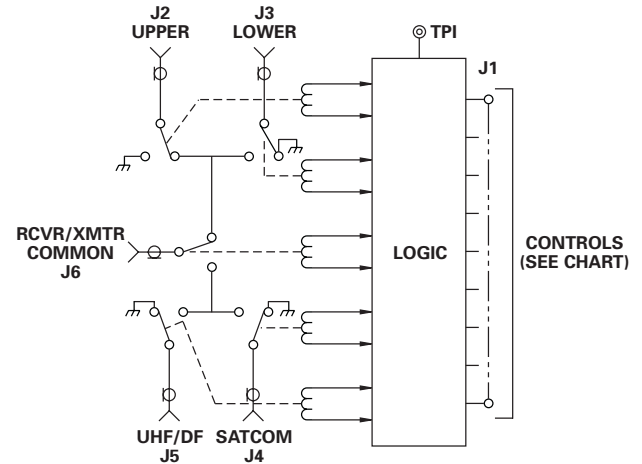
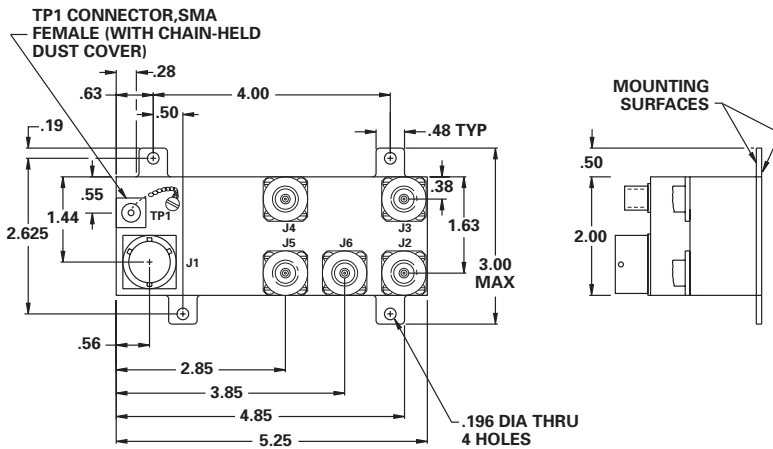
- 300 - 1000 MHz
- Connects R/T to 4 Antennas (Upper, Lower, DF, or Satcom)
- Auto Mode Cycles between Upper and Lower Antenna
- Key Function with Memory Auto Selects Antenna which Last Signal was Received
- Failsafe Mode



**MODEL NO.
100D9288**

Switch Selector UHF Antenna

MFD



J1 CONTROL CHART

| Pin | Function |
|-----|-----------------|
| A | DC Return |
| B | Spare |
| C | +28V IN |
| D | X - Mode |
| E | Test Point |
| F | Spare |
| G | Mode Control |
| H | Key |
| J | Sat Com Enabled |
| K | UHF/DF |
| L | Squelch |
| M | Chassis GND |
| N | Spare |
| P | Spare |
| R | Spare |

| Connector Chart - RF | | | Key Angle Deg | |
|----------------------|-----------------------|-----------------------|---------------|---------|
| Connector | Function | Keying 6T5M1377TXX | α | β |
| J2 | Upper | 600A1025-3 | 120 | 144 |
| J3 | Lower | 600A1025-4 | 72 | 144 |
| J4 | Sat Com | 600A1025-1 | 72 | 120 |
| J5 | UHF - DF | 600A1025-2 | 96 | 96 |
| J6 | Receiver/ Transmit | No Key | - | - |