

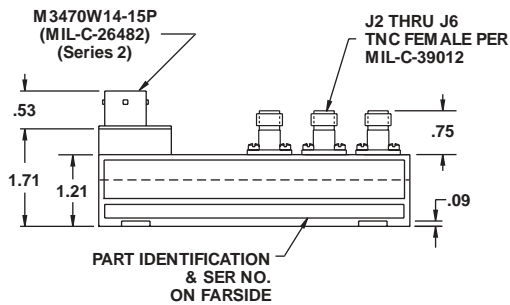
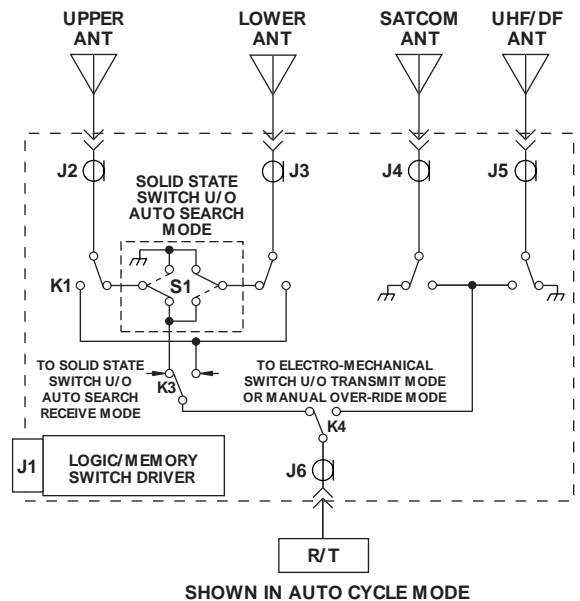
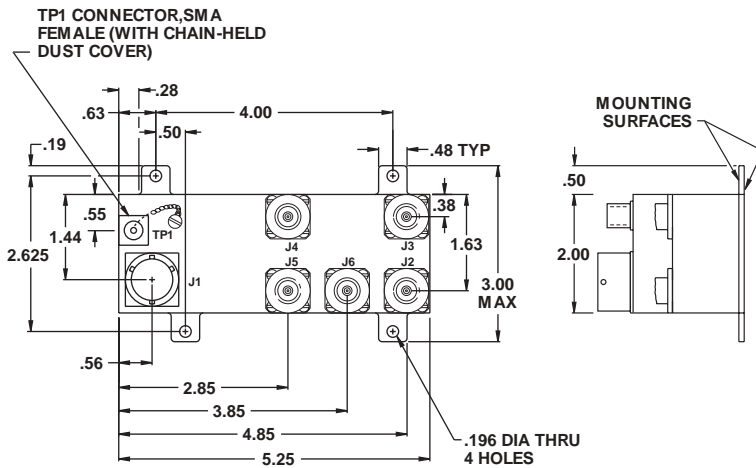
FEATURES

- Connects R/T to 4 Antennas (Upper, Lower, ADF or Satcom).
- ADF Override with Key Interlock Prevents Transmission into the ADF Port
- Failsafe Mode Connects R/T to Lower Antenna in the Event of a Power Loss
- Auto Mode Cycles Between Upper and Lower Antenna Using Solid State Relay Saver Circuitry for Reliability
- Key Function with Memory Automatically Selects the Antenna on which the Last Signal was Received
- BIT Port for Functionality Test in Aircraft. Available on Separate SMA Connector or J1 Control Connector



**MODEL NO.
100D1788**

4 Port Antenna Selector



.xx = .02
.xxx = .010

GUARANTEED PERFORMANCE

| Parameter | Min | Typ | Max | Units | Conditions |
|-----------------------|-----|-----|--------|-------|----------------------|
| Operating Frequency | 225 | | 400 | MHz | |
| DC Current | | | 150 | mA | At +28 VDC Supply |
| Insertion Loss | | | 0.8 | dB | |
| Isolation | 30 | | | dB | |
| VSWR | | | 1.35/1 | | |
| Impedance | | 50 | | OHMS | |
| Switching Speed | | | 5 | mSec | |
| RF Power | | | 100 | W | Average |
| | | | 500 | W | Peak |
| Operating Temperature | -54 | +25 | +71 | °C | Intermittent @ +95°C |
| Weight | | | 18.2 | OZ | |