

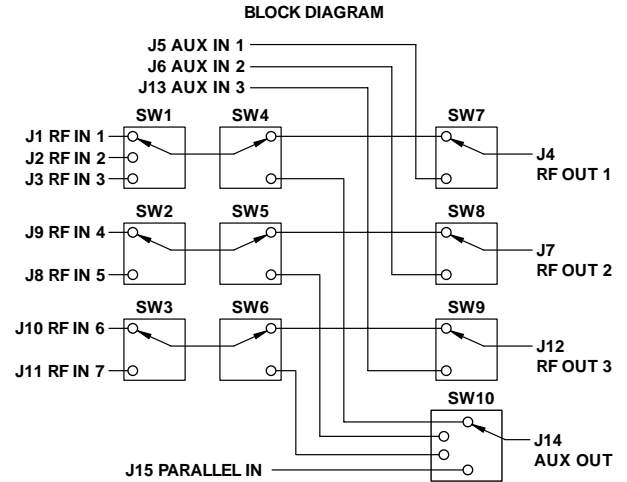
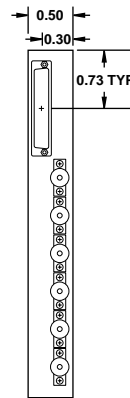
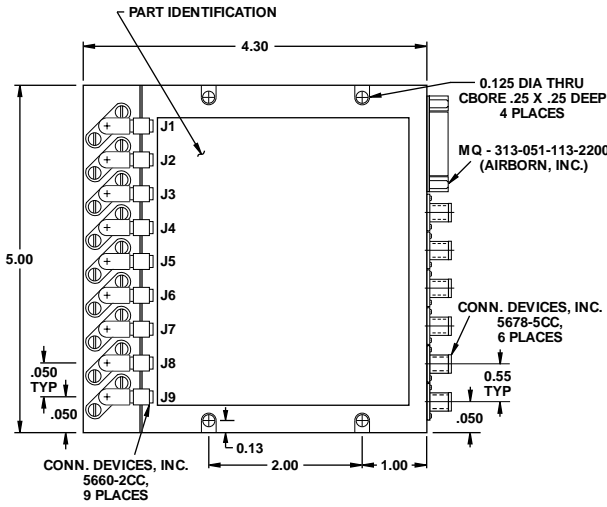
FEATURES

- 20 - 1000 MHz
- +90 dBm 2nd Order Intercept Point
- +50 dBm 3rd Order Intercept Point
- High Isolation
- TTL Drivers
- Replaceable SMA Connectors



**MODEL NO.
CSWX6152**

PIN Diode RF Switch Matrix



GUARANTEED PERFORMANCE

Parameter	Min	Typ	Max	Units	Conditions	
Operating Frequency	20		1000	MHz		
DC Current		95	600	mA	At +5 VDC Supply	
		275	300	mA	At -5 VDC Supply	
Control Type		CMOS			6 Line Control	
Control Current	High			μ A	$V_{IH} = +5V$	
	Low			μ A	$V_{IL} = +0V$	
Insertion Loss		2.5	3.5	dB	RF IN to RF OUT Path	
		1.0	1.3	dB	AUX IN to RF OUT Path	
		2.3	3.5	dB	RF IN to AUX OUT	
		1.0	1.3	dB	PARALLEL IN to AUX OUT	
Isolation: RF IN to RF OUT Path	50	55		dB	On - Off Isolation (Except RF IN 1 and RF IN 4)	
	60	80		dB	Channel to Channel Isolation	
	100	105		dB	On - Off Isolation (For RF IN 1 and RF IN 4)	
	AUX IN to RF OUT Path	35	50		dB	On - Off Isolation
	RF IN to AUX OUT	30	53		dB	On - Off Isolation
	PARALLEL IN to AUX OUT	30	45		dB	On - Off Isolation
VSWR	Thru	1.25/1	1.5/1		RF IN and AUX IN Only	
	Termination	1.25/1	1.5/1			
Impedance		50		OHMS		
Switching Speed		2.5	5	μ Sec	50% TTL to 90% / 10% RF	
Transition (Rise/Fall) Time				nSec	10% / 90% to 90% / 10% RF	
Switching (Video) Transients				mV	Peak Value	
Intercept Points	2nd	+60	+90	dBm	70 MHz / 50 MHz	
	3rd	+35	+50	dBm	35 MHz / 50 MHz	
RF Power	Operate		+20	dBm	1.0 dB Compression	
	No Damage			dBm		
Operating Temperature	-20	+25	+85	$^{\circ}$ C	TA	

TYPICAL PERFORMANCE at 25 $^{\circ}$ C

