

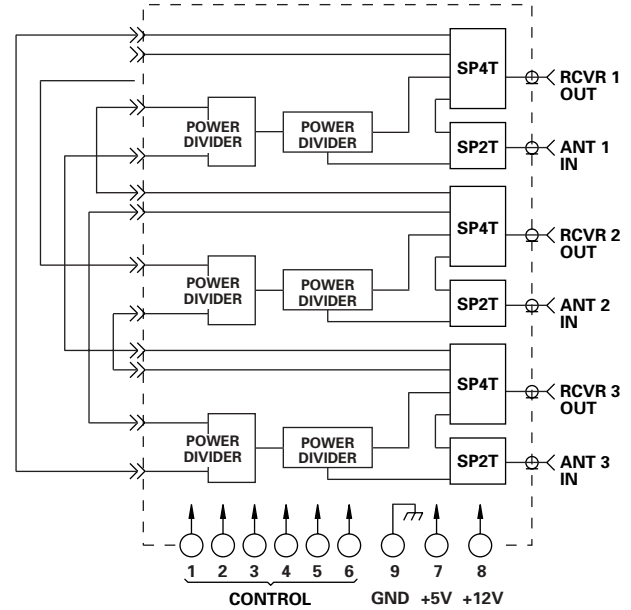
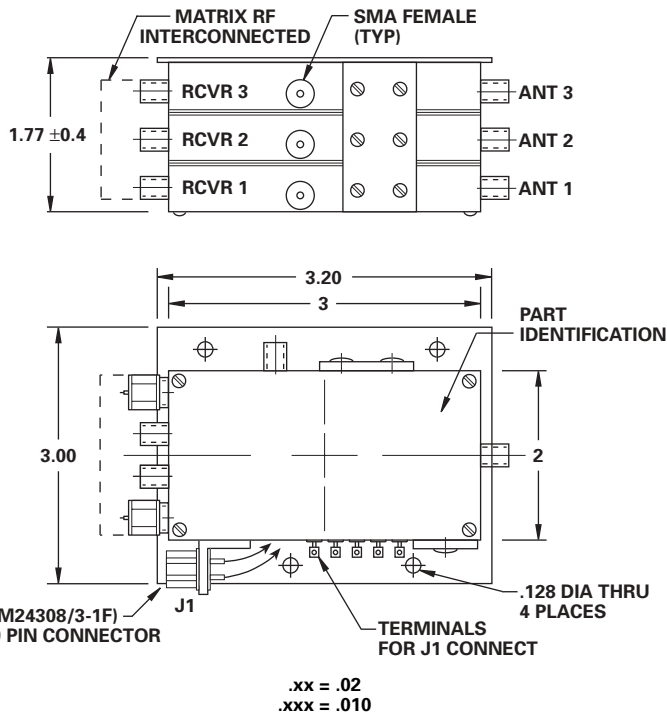
## FEATURES

- 20 - 2000 MHz
- +56 dB 3rd Order Intercept Point
- Small 3 x 2 x 2 Package
- Connects Any Receiver to Any Antenna
- SMA Connectors
- All Receivers Can Share a Common Antenna Via Integrated Power Combiners



**MODEL NO.  
100C1820**

**(3x3) Switch Matrix**



## GUARANTEED PERFORMANCE

Parameter	Min	Typ	Max	Units	Conditions	
Operating Frequency	20		2000	MHz		
DC Current		112	160	mA	At +5 VDC Supply	
		52	75	mA	At +12 VDC Supply	
Control Type		TTL			6 Line Control	
Control Current	High	0	±20	μA	VIH = +2.7 V	
	Low	0	±20	μA	VIL = +0.5 V	
Insertion Loss				dB	See RF Parameters Performance Chart	
Isolation				dB	See RF Parameters Performance Chart	
VSWR					See RF Parameters Performance Chart	
Impedance		50		OHMS		
Switching Speed		1.5	5	μSec	50% TTL to 90% / 10% RF	
Transition (Rise/Fall) Time		0.7		μSec	90% / 10% to 10% / 90% RF	
Switching (Video) Transients		1.8		V		
Intercept Points	2nd		+72	dBm	20 - 100 MHz	
	3rd	+36	+51	dBm		100 - 1000 MHz
		+40	+56	dBm		
		+36	+50	dBm		1000 - 2000 MHz
RF Power	Operate		+24	dBm	0.1 dB Compression	
	No Damage		+24	dBm		
Operating Temperature	0	+25	+70	°C	TA	

