

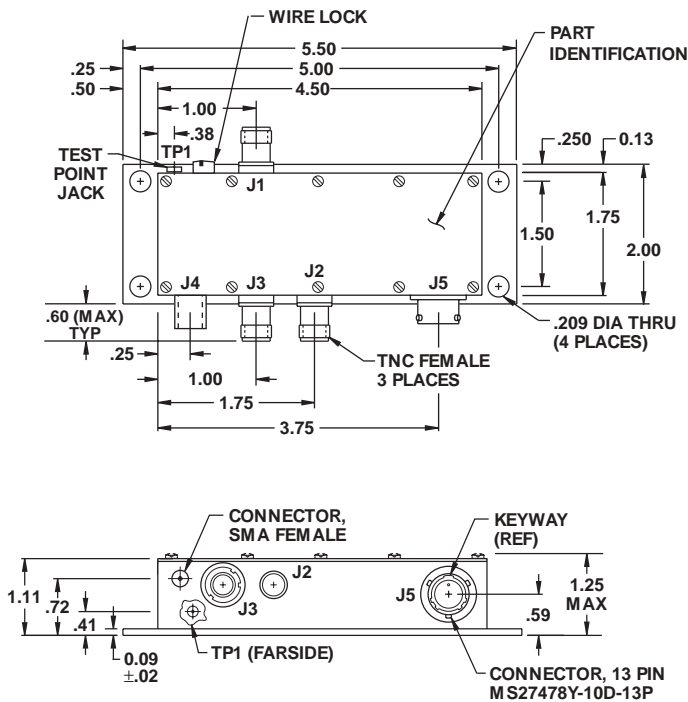
FEATURES

- Connects R/T to 3 Antennas (Upper, Lower or ADF)
- Auto Mode Cycles Between Upper and Lower Antenna
- Key Function with Memory Automatically Selects the Antenna on which the Last Signal was Received
- ADF Override with Key Interlock Prevents Transmission into the ADF Port
- Failsafe Mode Connects R/T To Lower Antenna in the Event of a Power Loss
- BIT Port for Functionality Test in Aircraft

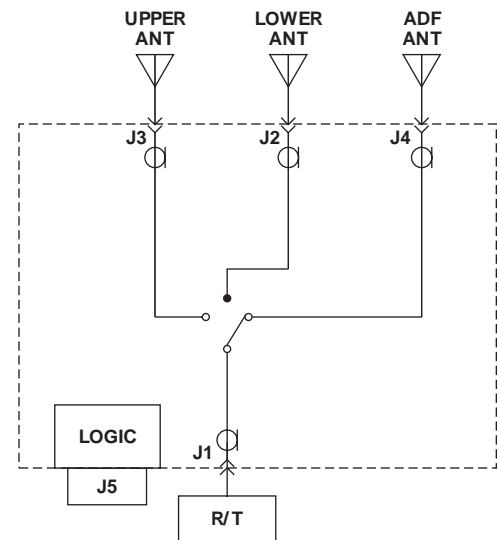


**MODEL NO.
100D0688**

3 Port Antenna Selector



.xx = .02
.xxx = .010



GUARANTEED PERFORMANCE

| Parameter | Min | Typ | Max | Units | Conditions |
|-----------------------|-----|-----|------------|-------|----------------------|
| Operating Frequency | DC | | 400 | MHz | |
| DC Current | | | 150 | mA | At +28 VDC Supply |
| Isolation | 40 | | | dB | |
| Insertion Loss | | | 0.5 | dB | |
| VSWR | | | 1.25/1 | | |
| Impedance | | 50 | | OHMS | |
| Switching Speed | | | 5 | mSec | |
| RF Power | | | 100 500 | W | Average Peak |
| Operating Temperature | -54 | +25 | +71 | °C | Intermittent @ +95°C |
| Weight | | | 9 | OZ | |