



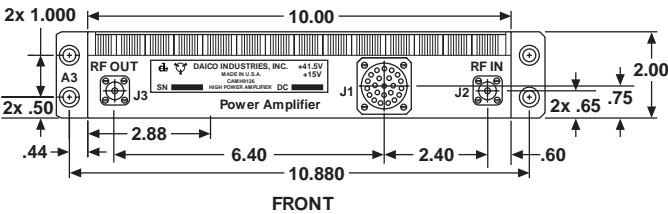
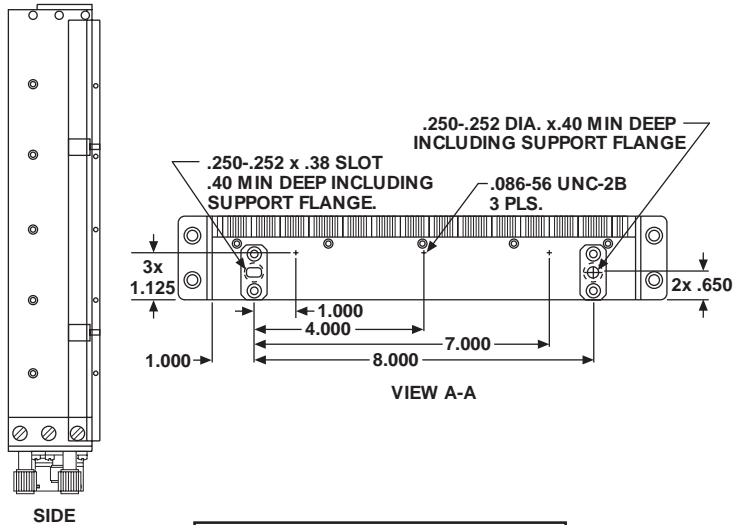
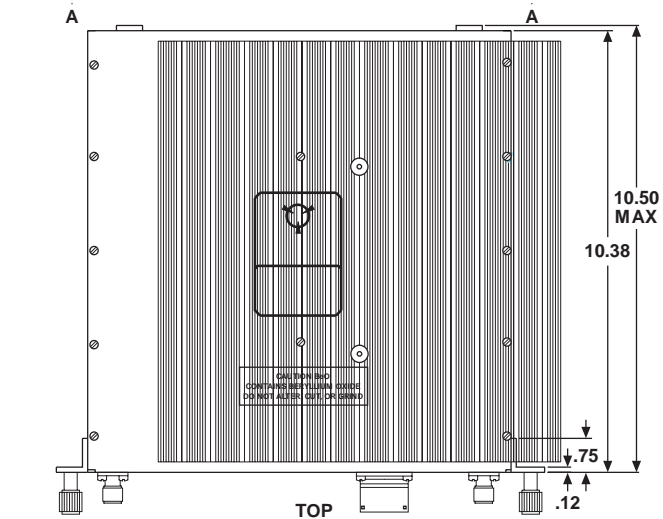
# MODEL NUMBER CAMH9126

# L-Band Power Amplifier

## FEATURES

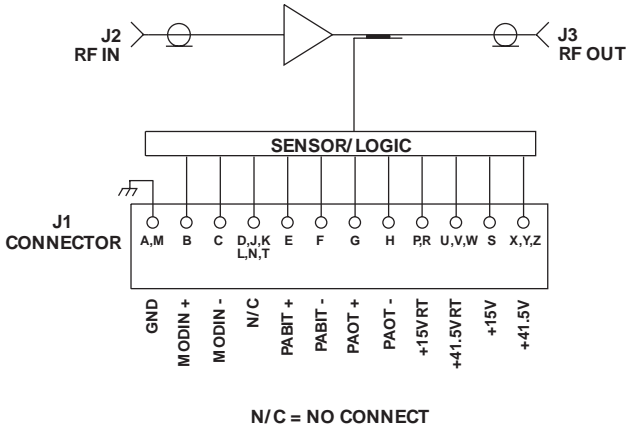
- L-Band Op. Freq.
- 52 dB Gain
- 61 dBm Pout
- 45% Efficiency

## AMP



J1 Connector		
A GND (SHLD)	J N/C	T N/C
B MODIN +	K N/C	U +41.5VRT
C MODIN -	L N/C	V +41.5VRT
D N/C	M GND(SHLD)	W +41.5VRT
E PABIT +	N N/C	X +41.5V
F PABIT -	P ±15VRT	Y +41.5V
G PAOT +	R ±15VRT	Z +41.5V
H PAOT -	S +15V	

## GUARANTEED PERFORMANCE



Parameter	Min	Typ	Max	Units	Conditions
Operating Frequency	1215		1400	MHz	
Gain	50	52		dB	
Peak Power Output	60	61	63	dBm	PRF 3.57 KHz PW = 15 µSec
RF Power In:				dBm	
Operate	+7	+10	+18		
No Damage			+20		
VSWR					
In		1.4:1	1.5:1		
Out		1.4:1	1.5:1		
Pulse Delay On	200	435	600	nSec	
Pulse Delay Off	200	400	600	nSec	
Harmonics	//	30	35	dBc	
	///	30	38	dBc	
Impedance		50		OHM S	
Transition (Rise/Fall) Time	80	120	500	µSec	
DC Current		5.3	7.5	AMP	At +41.5 VDC
		0.45	0.7	AMP	At +15 VDC
Operating Temperature	-46	+25	+52	°C	TA