

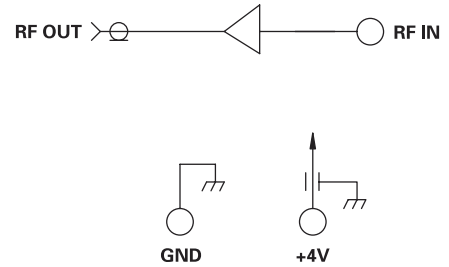
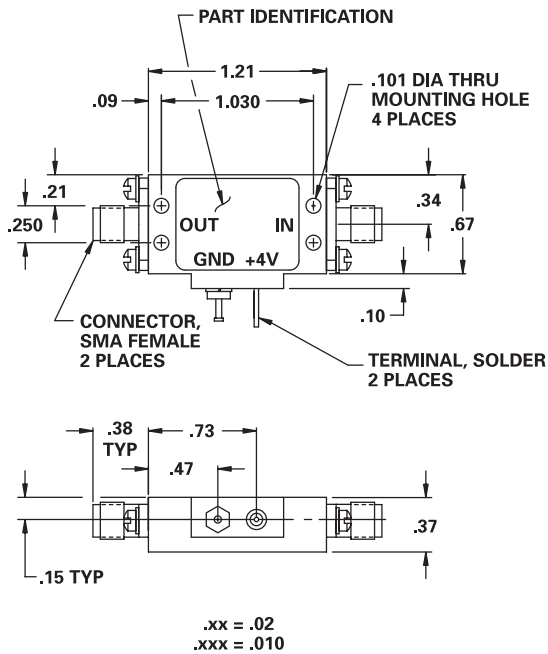
# MODEL NUMBER DAML6188

# GaAs FET Low Noise Amplifier

## FEATURES

- 1.2-1.4 GHz
- 1.15 dB Noise Figure
- 28.5 dB Gain
- +27 dBm 3rd Order Intercept Point
- Replaceable SMA Connectors

LNA



## GUARANTEED PERFORMANCE

Parameter	Min	Typ	Max	Units	Conditions
Operating Frequency	1.215		1.4	GHz	
DC Power		130	200	mA	At +4 VDC
Gain	27.5	28.5	29.0	dB	
Out of Band Gain		0.4	1.0	dB	Over the Max. In Band Gain
Gain Flatness		±0.2	±0.3	dB	
Noise Figure		1.15	1.2	dB	At +25°C
VSWR					
	Input	1.3/1	1.4/1		
	Output	1.3/1	1.5/1		
1 dB GCP	+12.0			dBm	At +25°C
Intercept Point 3rd	+27.0			dBm	At +25°C
Operating Temperature	-55	+25	+80	°C	TA

