

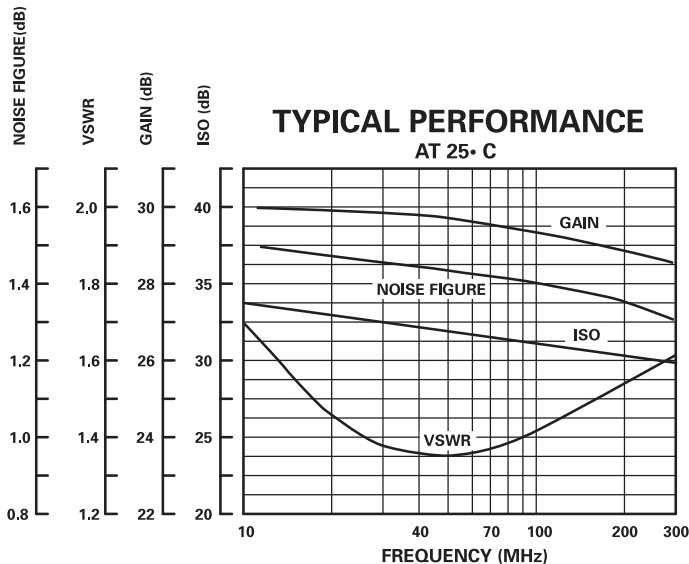
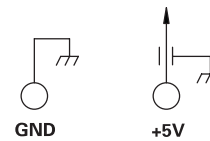
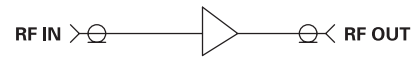
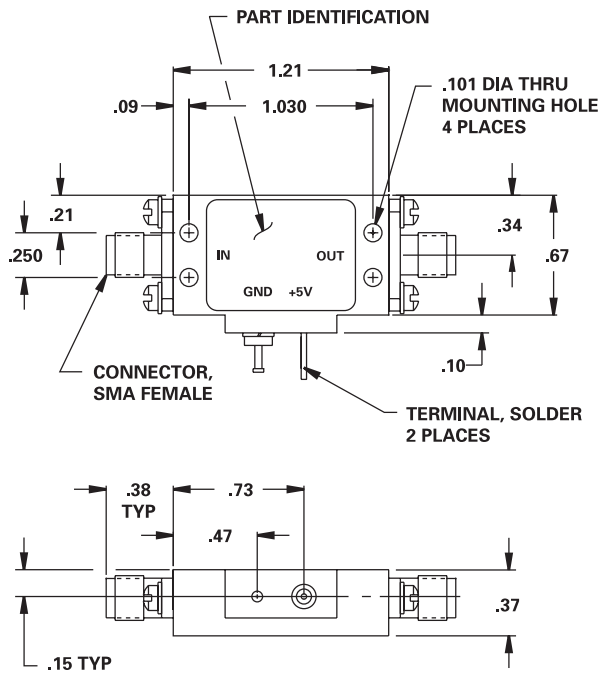
# MODEL NUMBER DAML6266

## Low Noise Amplifier

### FEATURES

- 20-100 MHz
- 30 dB Gain
- 1.5 dB Noise Figure
- Gain Flatness 1 dB Max
- SMA Connectors
- Available in Matched Sets of 2

**AMP**



### GUARANTEED PERFORMANCE

Parameter	Min	Typ	Max	Units	Conditions
Operating Frequency	20		100	MHz	
DC Current			190	mA	At +5VDC Supply
Small Signal Gain	25			dB	
Isolation (S <sub>12</sub> )	31			dB	
Noise Figure			1.8	dB	
VSWR	In/Out		1.51/1		
Impedance		50		OHMS	
Intercept Points	2nd			dBm	
	3rd	+27		dBm	
RF Power	Output	+17		dBm	1 dB Compression
	(no damage) Input	+18		dBm	without Limiter
Unit-To-Unit					
Gain Tracking	-1		+1		Set of 2 Units
Phase Tracking	-10		+10	degrees	Set of 2 Units
Operating Temperature	-40	+25	+85	°C	TA



**DAICO Industries**

310.507.3242 • FAX 310.507.5701 • www.daico.com